

10W MR16 Down Light -M1**Technical**

Part Number	FPD09W01HPAA10	FPD09WW01HPAA10
Color	Cool White	Warm White
CCT (Typ.)	5600~6000K	2800~3300K
Input Voltage	110~240 VAC	
Rated Current	800 mA	
Rated Frequency	50~60 Hz	
Luminous Output (Lm)	750	650
Luminous Efficacy (Lm/W)	75	65
Total Power (W)	10 W	
Beam Angle	22°	
Operating Temperature	-40°C to 50°C (-40°F to 122°F)	
Starting Temperature	-40°C to 50°C (-40°F to 122°F)	
Rated Life	30,000 hour potential life at 70% lumen maintenance	
Driver	Dimmable (Optional)	

Light Source

LED	High Power 10W	
Color Rendering Index (Ra)	≥ 75 (Standard)	≥ 90 (Optional for warm white)

Dimensions

Body	∅ 50 x H : 71 (mm)
Aperture Diameter	7.8~8.3 (mm)
Outside Diameter	50 (mm)

Construction

Housing	Die-cast Aluminum
Finishes	Sliver
Diffuser	Clear

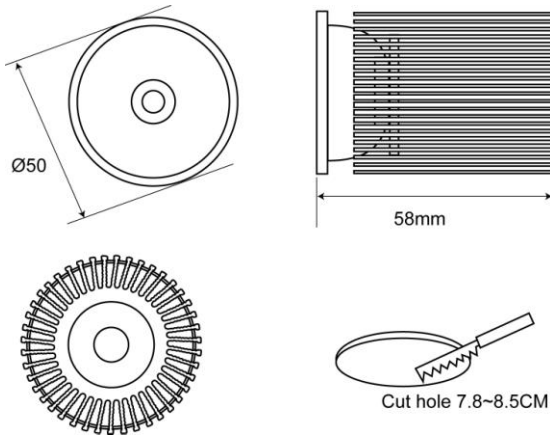
Packing

Product Weight (kg)	0.45
Packing Dimension(L×W×H) (cm)	12 x 12 x 14
Pcs/Box	Individual
Gross Weight (kg)	0.55

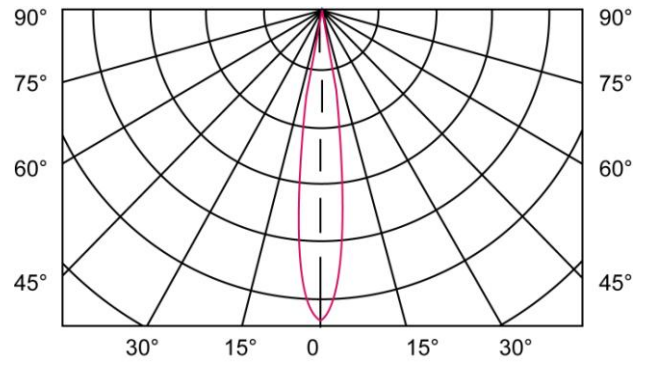
Remark:

1. Contents and specifications are subject to change without prior notice
2. To order dimmable or high CRI version, please contact with Color Vision for more information.

Dimensions

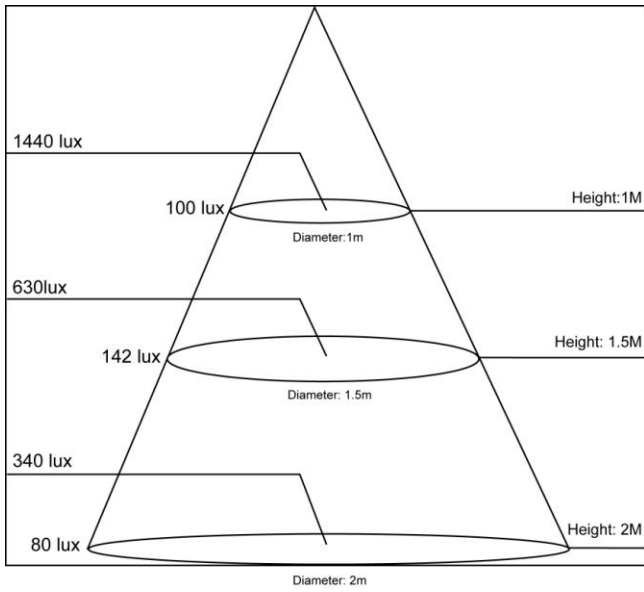


Light Pattern



Beam & Cone Data

Cool White (5500K)



Warm White (3000K)

