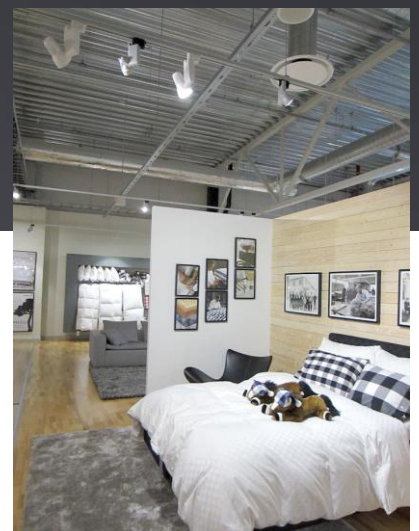




## 10W LED Track Light





### Introduction

The sleek LED track light uses a high power multi-chip LED module. The Optical reflector is integrated to perform “true light” atmosphere and uniform light distribution. The spot lights provides a high CRI of Ra>90, and is housed in die-cast aluminum.

The smooth and attractive spotlight can be used for diverse lighting schemes. The light is easily adjustable to deliver accented lighting in all directions. Fitted with three circuit adaptor that is fully compatible to many European three circuit track systems including ERCO , EUTRAC, ZOTOMBEL, STAFF , NOKIA etc.



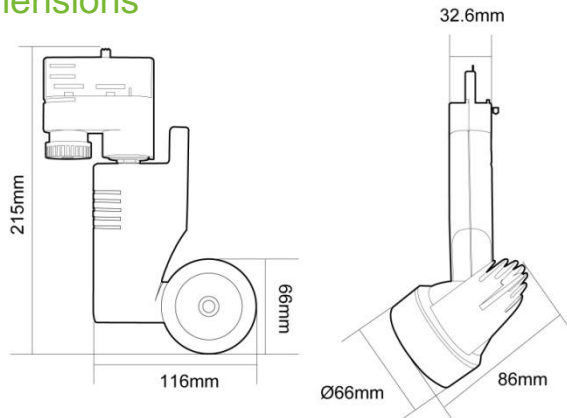
Part Number	Housing	Color Of Light	Beam Angle
FPD07W01HP10-W	White	5500K	25°/ 40°
FPD07NW01HP10-W		4200K	
FPD07WW01HP10-W		3000K	
FPD07W01HP10-S	Silver	5500K	25°/ 40°
FPD07NW01HP10-S		4200K	
FPD07WW01HP10-S		3000K	

•Other color temperature is available upon request

### Features

- TRIAC dimming compatible
- Color rendering ( Ra ) up to 90
- Harmonious and uniform light distribution
- Three circuit adaptor equipped
- Housing made of die-cast aluminum
- Surface coating options – silver or white
- Spotlight rotates 360° horizontally and head pivots 180° vertically
- High power multi-chip LED module technology
- 3-year warranty
- CE compliance

### Dimensions



### Dimmer Recommended Chart

Manufacturer	Dimmer Model
DUWI	ET153850
BUSCH-JAEGER	2247U
BUSCH-JAEGER	U102
HPM	CAT400T
HPM	CAT250T
CLIPSAL	32E450UDM
CLIPSAL	NO32E450LM

### Light Pattern

