

Power Track Light 10W (Luna)



Technical

Part Number	FPT03W01HPPA10	FPT03WW01HPPA10
Color	Cool White	Warm White
CCT (Typ.)	5600~6000K	2800~3300K
Input Voltage	110~240 VAC	
Rated Current	700 mA	
Rated Frequency	50~60 Hz	
Luminous Output (Lm)	750	700
Luminous Efficacy(Lm/W)	75	70
Total Power(W)	11 W (Max).	
Beam Angle	30°	
Operating Temperature	-40°C to 50°C (-40°F to 122°F)	
Starting Temperature	-40°C to 50°C (-40°F to 122°F)	
Rated Life	30,000 hour potential life at 70% lumen maintenance	
Compatibility	Luna track system	

Light Source

LED	High Power 10W	
Color Rendering Index (Ra)	≥ 75 (Standard)	≥ 90 (Available for warm white)

Construction

Housing	Die-cast Aluminum
Finishes	Silver

Dimensions

Body	Ø 76 x H : 110 (mm)
------	---------------------

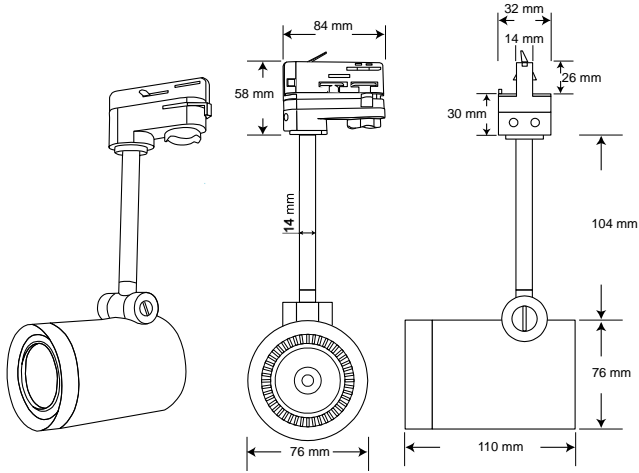
Packing

Product Weight (kg)	0.73
Packing Dimension(L×W×H) (cm)	30.2 x 18.7 x 13.6
Pcs/Box	Individual
Gross Weight (kg)	0.91

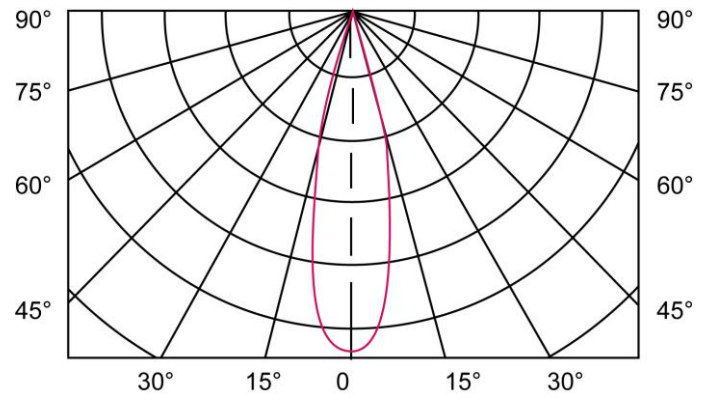
Remark:

1. Contents and specifications are subject to change without prior notice
2. To order high CRI version, please contact with Color Vision for more information

Dimensions

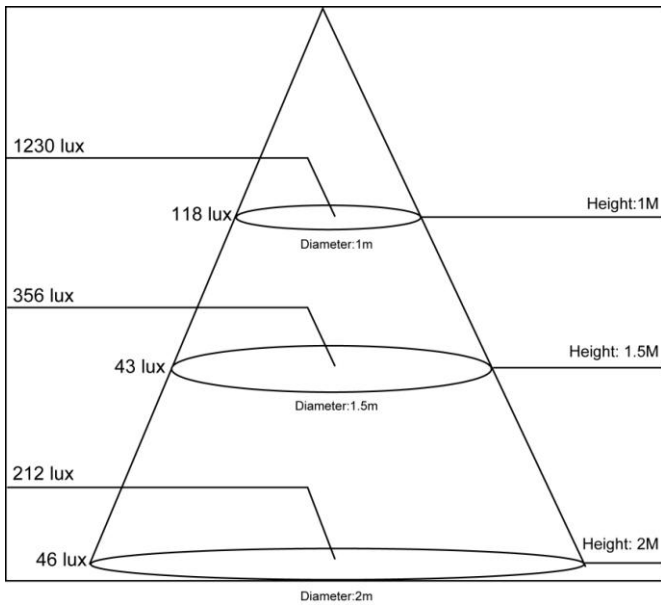


Light Pattern



Beam & Cone Data

Cool White (5500K)



Warm White (3000K)

