

**Power Down Light 10W-W1****Technical**

Part Number	FPD11W01HPWA10	FPD11WW01HPWA10
Color	Cool White	Warm White
CCT (Typ.)	5600~6000K	2800~3300K
Input Voltage	110~240 VAC	
Rated Current	1.2 A	
Rated Frequency	50~60 Hz	
Luminous Output (Lm)	750	700
Luminous Efficacy (Lm/W)	75	70
Total Power (W)	10W (Max.)	
Beam Angle	140°	
Operating Temperature	-40°C to 50°C (-40°F to 122°F)	
Starting Temperature	-40°C to 50°C (-40°F to 122°F)	
Rated Life	30,000 hour potential life at 70% lumen maintenance	
Driver	Dimmable (Optional)	

**Light Source**

LED	High Power 10W	
Color Rendering Index (Ra)	≥ 75 (Standard)	≥ 90 ( Optional for warm white )

**Dimensions**

Body	Ø 175 x H : 80 (mm)
Aperture Diameter	150 (mm)
Outside Diameter	175 (mm)

**Construction**

Housing	Die-cast Aluminum
Finishes	White
Diffuser	Clear

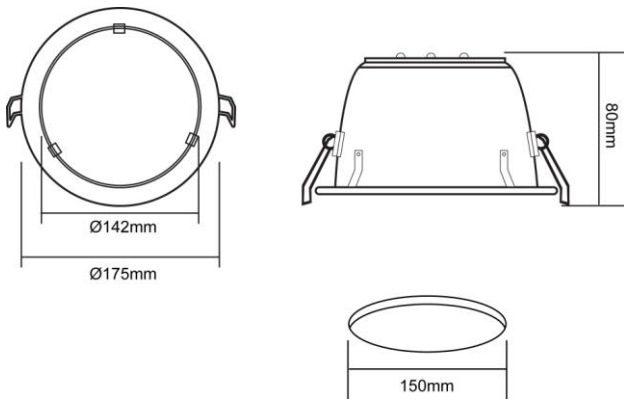
**Packing**

Product Weight (kg)	0.35
Packing Dimension(L×W×H) (cm)	22 x 21 x 15
Pcs/Box	Individual
Gross Weight (kg)	0.45

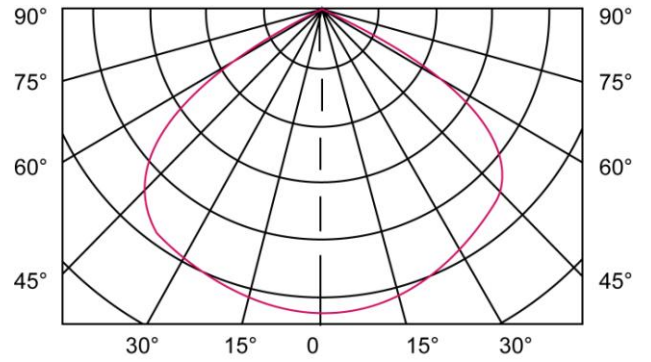
Remark:

1. Contents and specifications are subject to change without prior notice.
2. To order dimmable or high CRI version, please contact with Color Vision for more information
3. External driver included

Dimensions

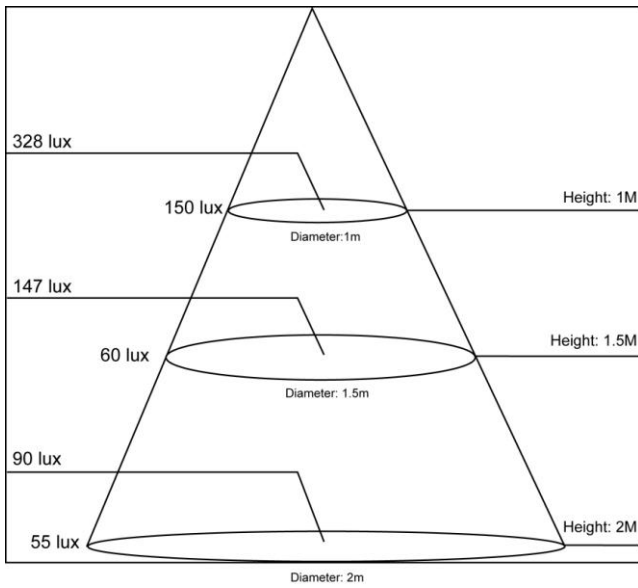


Light Pattern



Beam & Cone Data

Cool White ( 5500K )



Warm White ( 3000K )

