

High Bay Light 120W



Technical

Part Number	FHB01W01HPTA120
Color	Cool White
CCT (Typ.)	5500 K
Input Voltage	100~277 VAC
Rated Current	5 A
Rated Frequency	50~60 Hz
Luminous Output (Lm)	6968
Luminous Efficacy (Lm/W)	58
Total Power (W)	121 W
Beam Angle	70°
Operating Temperature	-35°C to 60°C (-95°F to 140°F)
Rated Life	40,000 hour potential life at 70% lumen maintenance

Light Source

Construction

LED	High Power 120W	Housing	Die-cast Aluminum
Color Rendering Index (Ra)	75	Finishes	Silver

Dimensions

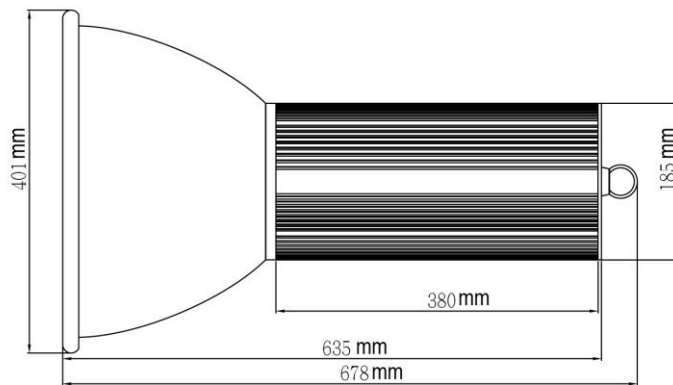
Accessories

∅ 401 x H : 678 (mm)	Mounting chain
----------------------	----------------

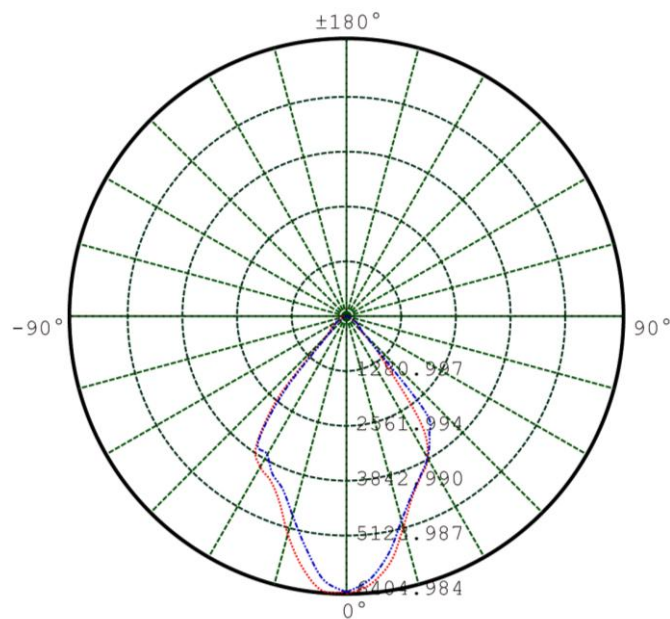
Packing

Product Weight (kg)	6.7 kg
Packing Dimension(L×W×H) (cm)	L: 45 x W:45 x H : 70
Pcs/Box	Individual
Gross Weight (kg)	7.5 kg

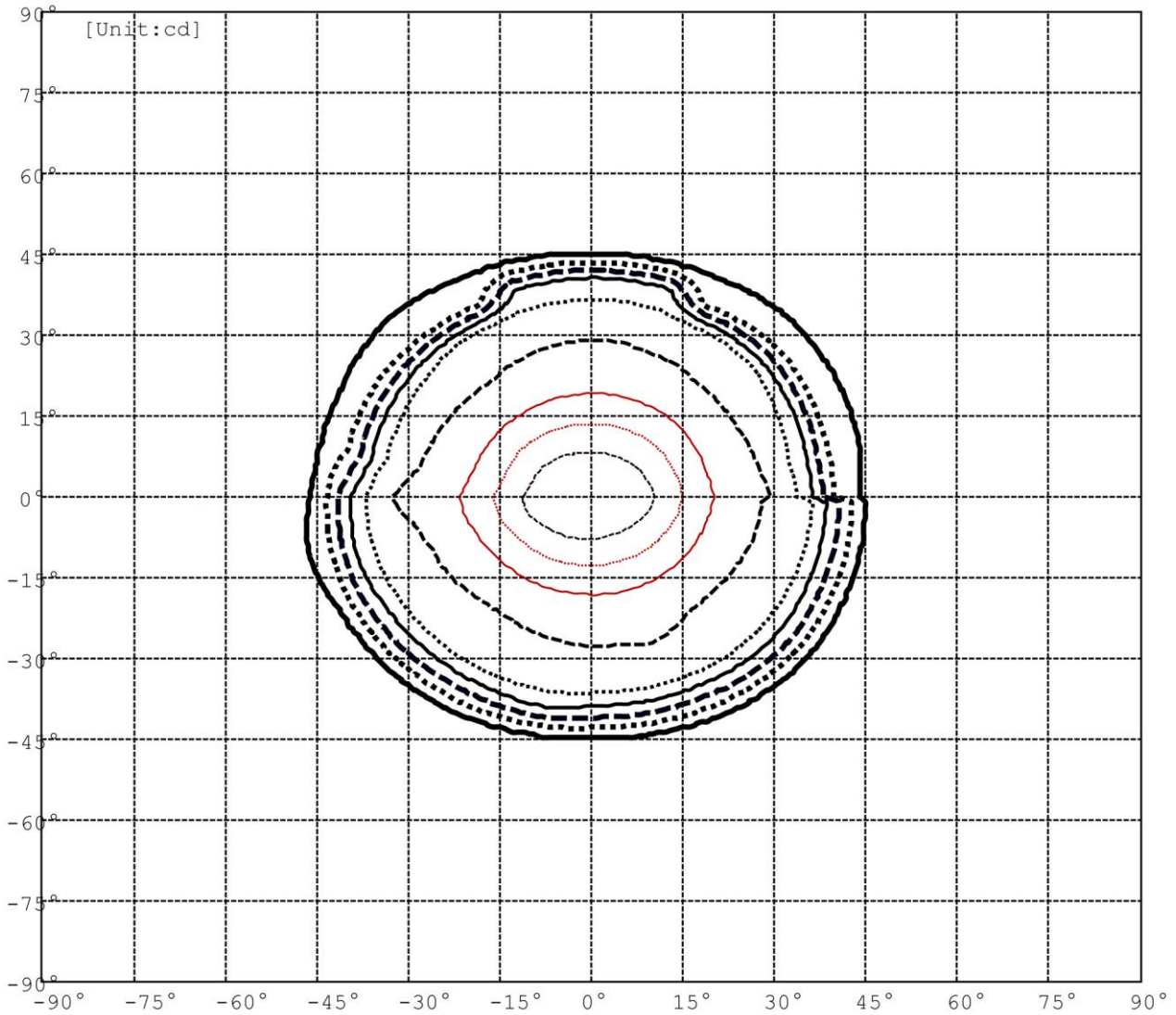
Dimensions



Light pattern

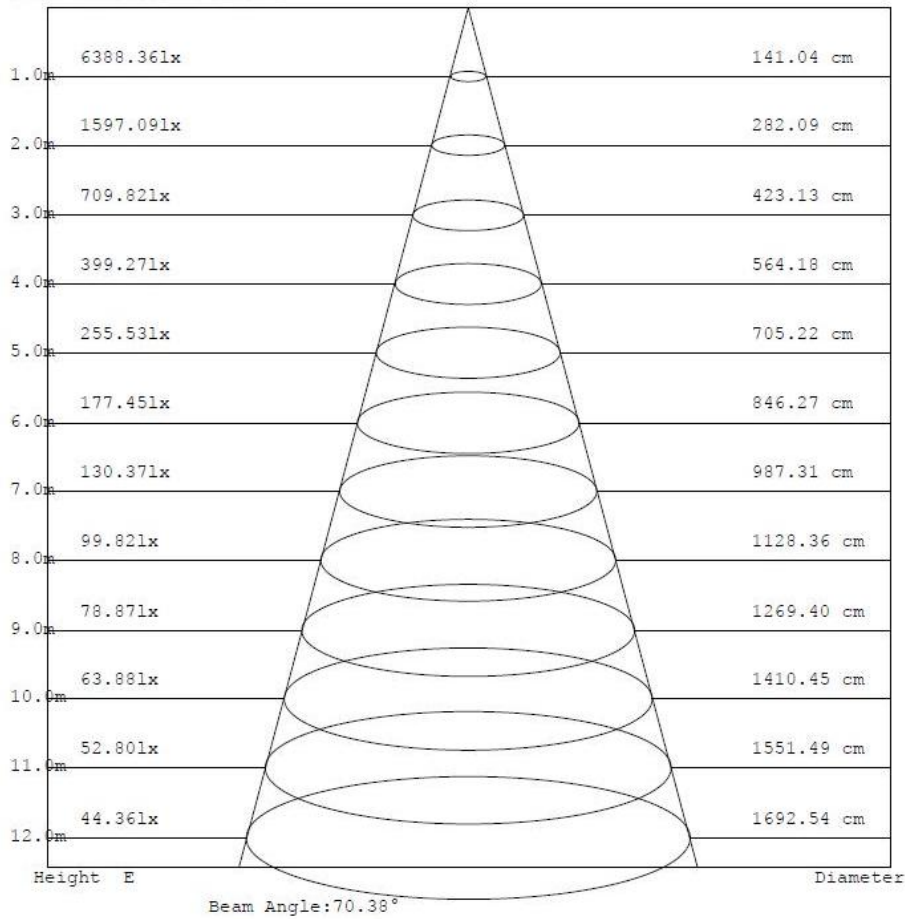


ISO-Intensity



(10%Imax)	636.583	———
(20%Imax)	1273.17	⋯⋯⋯
(30%Imax)	1909.75	———
(40%Imax)	2546.33	———
(50%Imax)	3182.92	⋯⋯⋯
(60%Imax)	3819.5	———
(70%Imax)	4456.08	———
(80%Imax)	5092.66	⋯⋯⋯
(90%Imax)	5729.25	———

Beam & Cone Data



Illumination area based on mounting height		
Mounting height (Unit: m)	Illumination diameter (Unit: cm)	Average lux distribution
6	846.27	177.451
7	987.31	130.371
8	1128.36	99.821
Remarks :		
1) Illumination diameter is calculated when exceed 50% of total lumen output based on ISO-intensity		

Remark:

1. Contents and specifications are subject to change without prior notice.
2. More color temperature and higher efficiency product can be customized upon request.