

Power Spot Light 30W



Technical

Part Number	FPS04W01HPPA30	FPS04W01HPRA30	FPS04WW01HPPA30	FPS04WW01HPRA30
Beam Angle	30°	60°	30°	60°
Color	Cool White		Warm White	
CCT (Typ.)	5500~6000K		2800~3000K	
Input Voltage	110~240V			
Rated Current	2.08 A			
Rated Frequency	50~60 Hz			
Luminous Output (Lm)	2250		2100	
Luminous Efficacy (Lm/W)	75		70	
Total Power (W)	25 W (Max.)			
Operating Temperature	-40°C to 50°C (-40°F to 122°F)			
Starting Temperature	-40°C to 50°C (-40°F to 122°F)			
Rated Life	30,000 hour potential life at 70% lumen maintenance			
IP Rating	65			

Light Source

LED	High Power 30W
-----	----------------

Construction

Housing	Die-cast Aluminum
Finishes	Black

Dimensions

Body	Ø 165 x H : 240 (mm)
------	----------------------

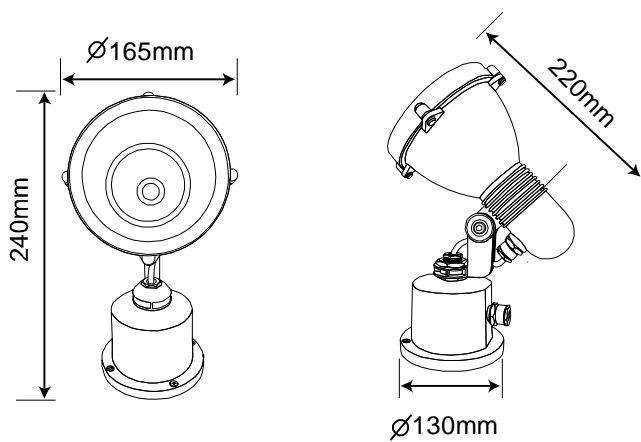
Packing

Product Weight (kg)	2.23/2.2
Packing Dimension(L×W×H) (cm)	18.9 x 26.5 x 30.1
Pcs/Box	Individual
Gross Weight (kg)	2.61/2.58

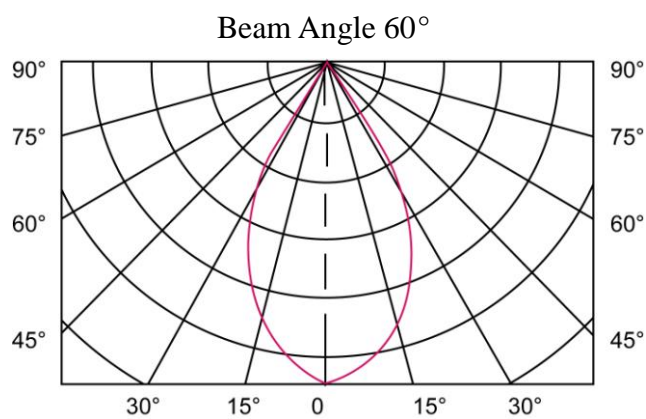
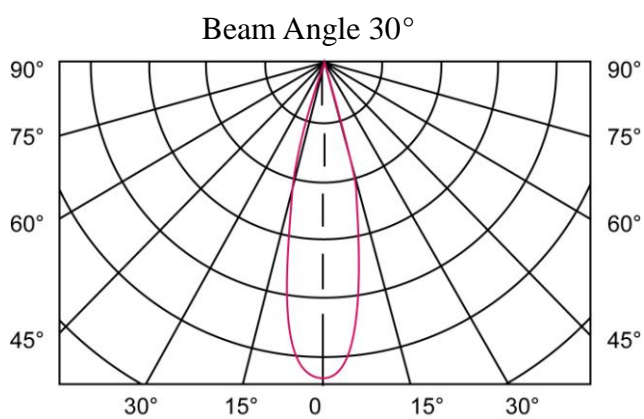
Remark:

1. Contents and specifications are subject to change without prior notice.

Dimensions

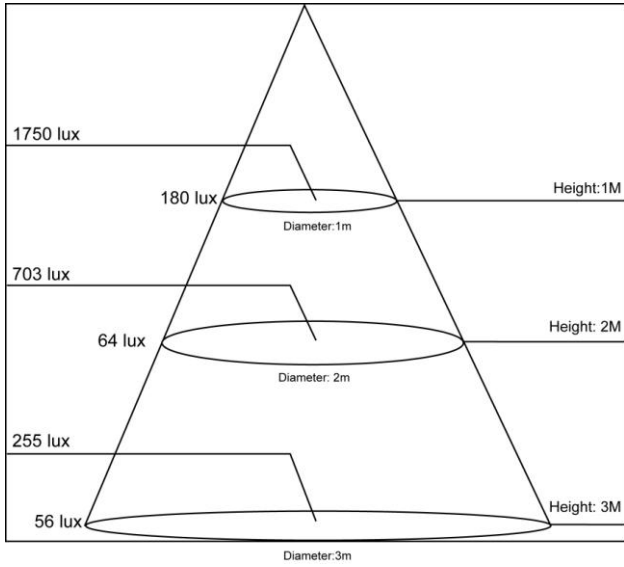


Light Pattern

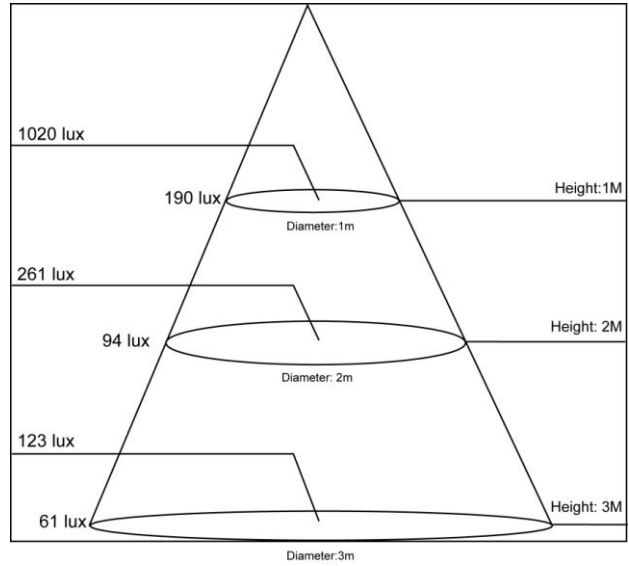


Beam & Cone Data

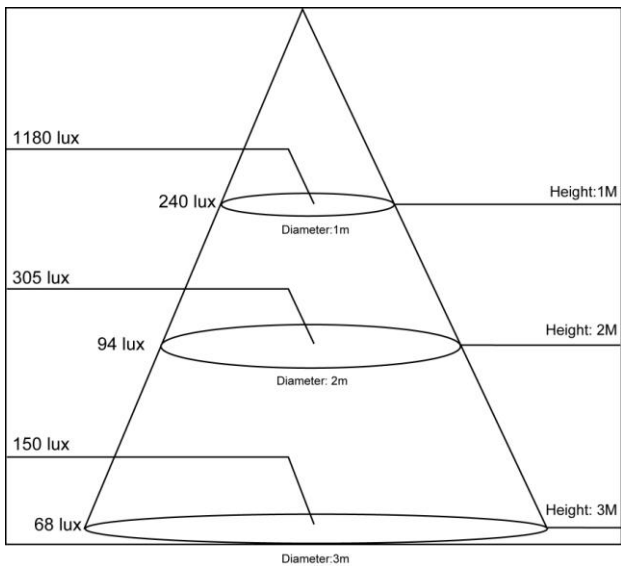
Cool White (5500K / 30°)



Warm White (3000K / 30°)



Cool White (5500K / 60°)



Warm White (3000K / 60°)

