

**LED Lamp 5W****Technical**

Part Number	FPP06W01HPVB5	FPP06WW01HPVB5	FPP06W01HPVC5	FPP06WW01HPVC5
Color	Cool White	Warm White	Cool White	Warm White
CCT (Typ.)	5600~6000K	2800~3300K	5600~6000K	2800~3300K
Input Voltage	110 VAC		220 VAC	
Rated Current	400 mA			
Rated Frequency	50~60 Hz			
Luminous Output (Lm)	375	350	375	350
Luminous Efficacy (Lm/W)	75	70	75	70
Total Power (W)	5W (Max.)			
Beam Angle	120°			
Operating Temperature	-20°C to 50°C (-4°F to 122°F)			
Starting Temperature	-20°C to 50°C (-4°F to 122°F)			
Rated Life	30,000 hour potential life at 70% lumen maintenance			
Base	E27 / E26			
Dimmable Range	100% ~ 0 %			

**Light Source****Construction**

LED	High Power 5 W	Housing	Die-cast Aluminum
Color Rendering Index ( Ra)	≥ 75	Finishes	Silver

**Dimensions****Accessories**

∅ 79.8 x H : 127 (mm)	None
-----------------------	------

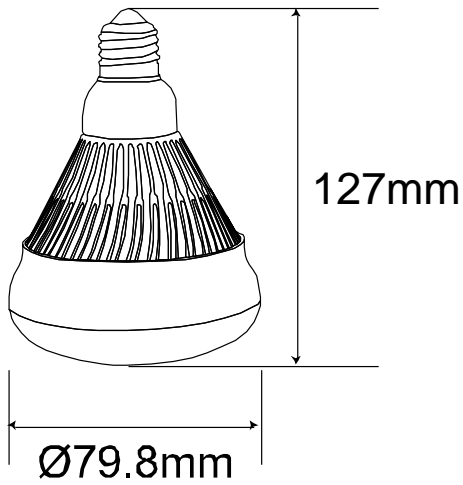
**Packing**

Product Weight (kg)	0.16
Box Dimension(L×W×H) (cm)	8.7 x 8.7 x 12.3
Pcs/Box	Individual
Gross Weight (kg)	0.2

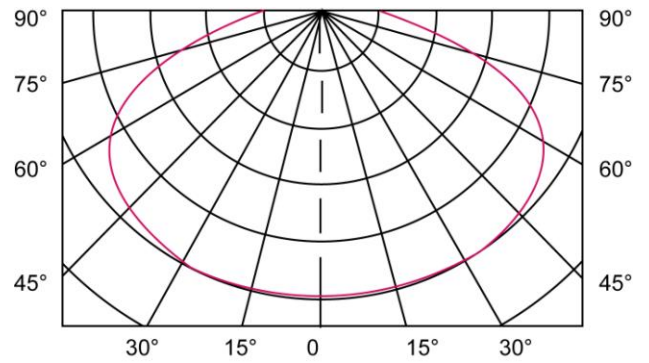
Remark:

1. Contents and specifications are subject to change without prior notice.

Dimensions

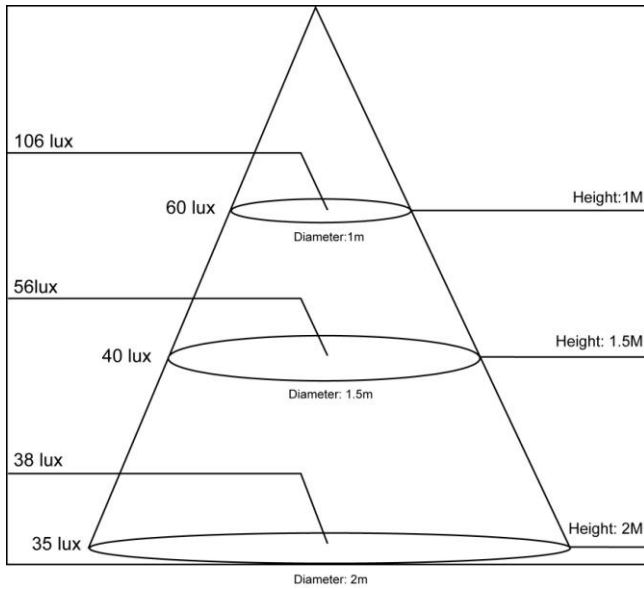


Light Pattern



Beam & Cone Data

Cool White ( 5500K )



Warm White ( 3000K )

