

## High Bay Light 60W-2



### Technical

Part Number	FHB01W01HPVA60
Color	Cool White
CCT (Typ.)	5500 K
Input Voltage	110~240 VAC
Rated Current	2.6 A
Rated Frequency	50~60 Hz
Luminous Output (Lm)	3540
Luminous Efficacy (Lm/W)	59
Total Power (W)	65 W (Max.)
Beam Angle	120°
Operating Temperature	-35°C to 60°C (-95°F to 140°F)
Rated Life	30,000 hour potential life at 70% lumen maintenance

### Light Source

### Construction

LED	High Power 60W	Housing	Die-cast Aluminum
Color Rendering Index (Ra)	≥ 75	Finishes	Silver

### Dimensions

### Accessories

∅ 420 x H : 235 (mm)	None
----------------------	------

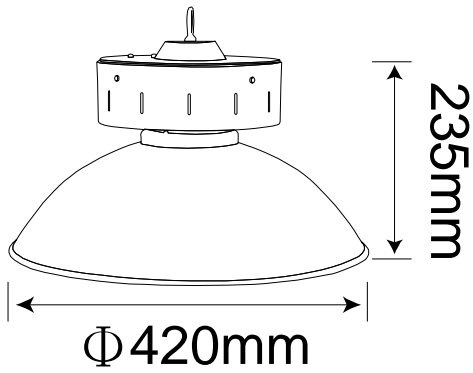
### Packing

Product Weight (kg)	1.88
Packing Dimension(L×W×H) (cm)	45 x 45 x 35
Pcs/Box	Individual
Gross Weight (kg)	3.5

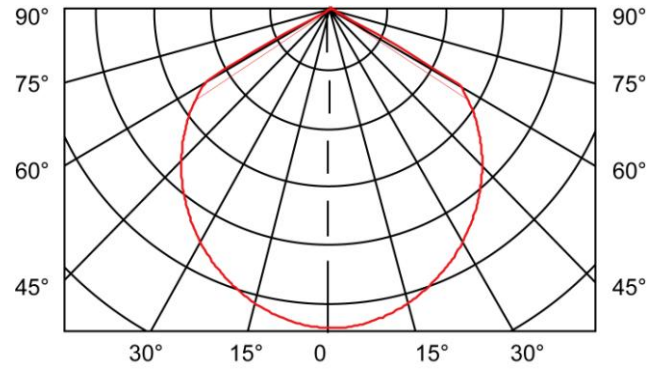
Remark:

1. Contents and specifications are subject to change without prior notice.

Dimensions



Light Pattern



Beam & Cone Data

Cool White ( 5500K )

