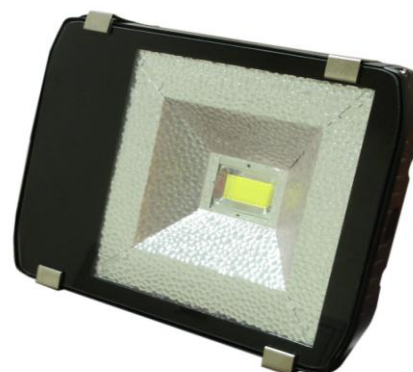


Flood Light 90W**Technical**

Part Number	FFL01W01HPHA90	FFL01WW01HPHA90
Color	Cool White	Warm White
CCT (Typ.)	5500~6000K	2800~3000K
Input Voltage	110~240 VAC	
Rated Current	4 A	
Rated Frequency	50~60 Hz	
Luminous Output (Lm)	6750	6300
Luminous Efficacy (Lm/W)	75	70
Total Power (W)	90 W (Max.)	
Beam Angle	120°	
Operating Temperature	-40°C to 50°C (-40°F to 122°F)	
Starting Temperature	-40°C to 50°C (-40°F to 122°F)	
Rated Life	30,000 hour potential life at 70% lumen maintenance	
IP Rating	65	

Light Source

LED	High Power 90W
-----	----------------

Construction

Housing	Die-cast Aluminum
Finishes	Black

Dimensions

Body	L: 360 x W: 285 x H : 220 (mm)
------	--------------------------------

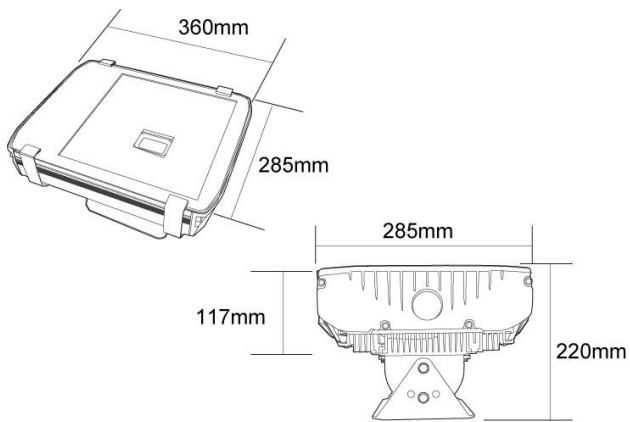
Packing

Product Weight (kg)	9
Packing Dimension(L×W×H) (cm)	18.9 x 26.5 x 30.1
Pcs/Box	Individual
Gross Weight (kg)	9.5

Remark:

1. Contents and specifications are subject to change without prior notice.

Dimensions



Light Pattern

