

AR 111 15W**Technical**

Part Number	FPP05W01HPRA15	FPP05W01HPWA15	FPP05WW01HPRA15	FPP05WW01HPWA15
Beam Angle	60°	140°	60°	140°
Color	Cool White		Warm White	
CCT (Typ.)	5500~6000K		2800~3300K	
Input Voltage	110~240VAC			
Rated Current	900mA			
Rated Frequency	50~60 Hz			
Luminous Output (Lm / W)	1125		1050	
Luminous Efficacy (Lm / W)	75		70	
Total Power (W)	15W			
Operating Temperature	-40°C to 50°C (-40°F to 122°F)			
Starting Temperature	-40°C to 50°C (-40°F to 122°F)			
Rated Life	30,000 hour potential life at 85 % lumen maintenance			
Base	AR111 / G53			

Light Source**Construction**

LED	High Power 15W	Housing	Die-cast Aluminum
Color Rendering Index (Ra)	≥ 75	Finishes	Silver

Dimensions**Accessories**

∅ 109 x H : 40 (mm)	None
---------------------	------

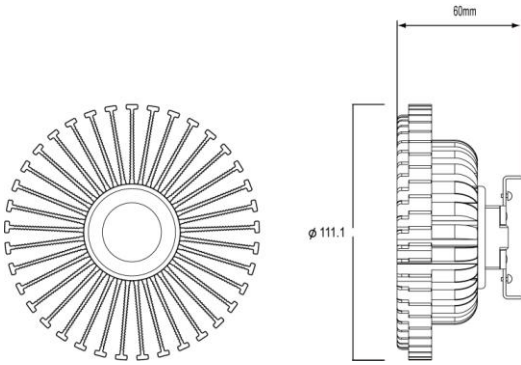
Packing

Product Weight (kg)	0.32
Box Dimension(L×W×H) (cm)	12 x 12 x 9.8
Pcs/Box	Individual
Gross Weight (kg)	0.38

Remark:

1. Contents and specifications are subject to change without prior notice.
2. External driver included

Dimensions



Light Pattern

