

Channel Letter Module



Technical

Part Number	FCL02W04SMDVF	FCL02WW04SMDVF
Color	Cool White	Warm White
CCT (Typ.)	6000K	3000K
Input Voltage	DC 12V	
Rated Current	60 mA	
Cable length between the modules	15 cm	
Luminous Output (Lm)	62	46
Luminous Efficacy (Lm/W)	15.5	11.5
Power Consumption (W)	0.85 W (per module)	
Beam Angle	120°	
Operating Temperature	35°C to 60°C (-95°F to 140°F)	

Light Source

LED	4 x SMD 5050
-----	--------------

Dimensions

L : 36 x W : 30 x 3.5 (mm)	None
----------------------------	------

Accessories

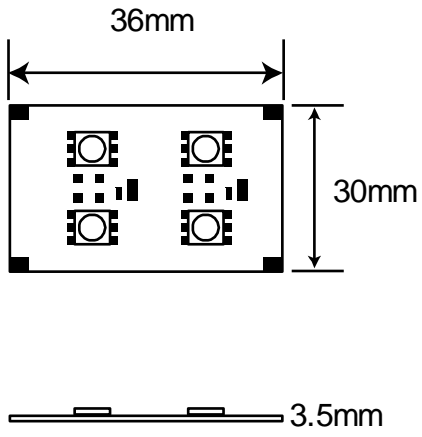
Packing

Product Weight (kg)	1.7
Packing Dimension(L×W×H) (cm)	34 x 27 x 10.5
Pcs/Box	100 modules
Gross Weight (kg)	1.95

Remark:

1. Contents and specifications are subject to change without prior notice.
2. External power supply needed

Dimensions



Light Pattern

