

Scenery Light 5W**Technical**

Color Range	Cool White	Warm White	Red	Green	Blue	Amber
Input Voltage	DC 12V					
Rated Current	400 mA					
Rated Frequency	50~60 Hz					
Total Power (W)	5W (Max.)					
Beam Angle	100°					
Operating Temperature	-40°C to 50°C (-40°F to 122°F)					
Starting Temperature	-40°C to 50°C (-40°F to 122°F)					
Rated Life	30,000 hour potential life at 70% lumen maintenance					
IP Rating	65					

Light Source**Construction**

LED	High Power 5W	Housing	Die-cast Aluminum
Color Rendering Index (Ra)	≥ 75	Finishes	Black

Dimensions**Accessories**

∅ 90 x H : 75 (mm)	Stainless Steel Bracket / Spike
--------------------	---------------------------------

Packing

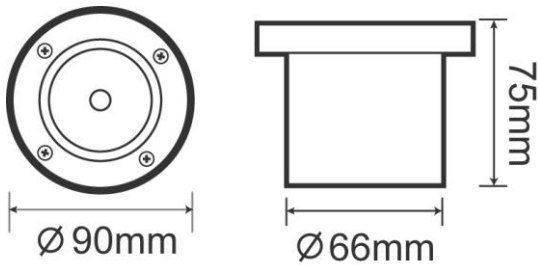
Product Weight (kg)	0.38
Packing Dimension(L×W×H) (mm)	10 x 10.2 x 10.3
Pcs/Box	Individual
Gross Weight (kg)	0.43

Remark:

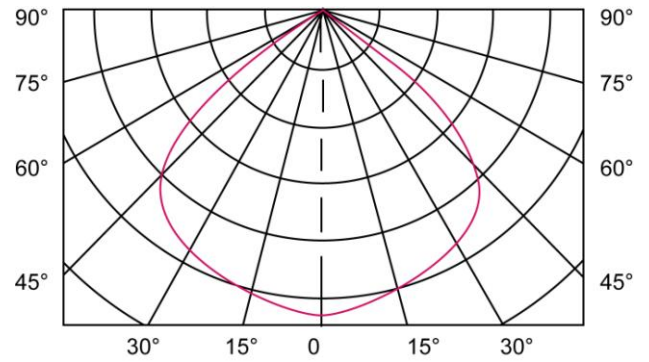
1. Contents and specifications are subject to change without prior notice
2. External power supply needed
3. Spike accessory needed to be ordered additionally

Part Number	Color Range
FPG03W01HPVF5	<input type="checkbox"/> Cool white
FPG03WW01HPVF5	<input type="checkbox"/> Warm white
FPG03R01HPVF5	<input type="checkbox"/> Red
FPG03G01HPVF5	<input type="checkbox"/> Green
FPG03B01HPVF5	<input type="checkbox"/> Blue
FPG03A01HPVF5	<input type="checkbox"/> Amber

Dimensions

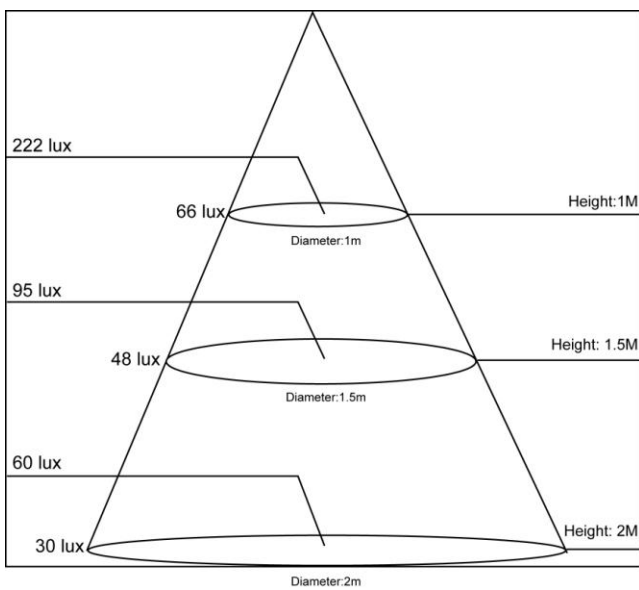


Light Pattern

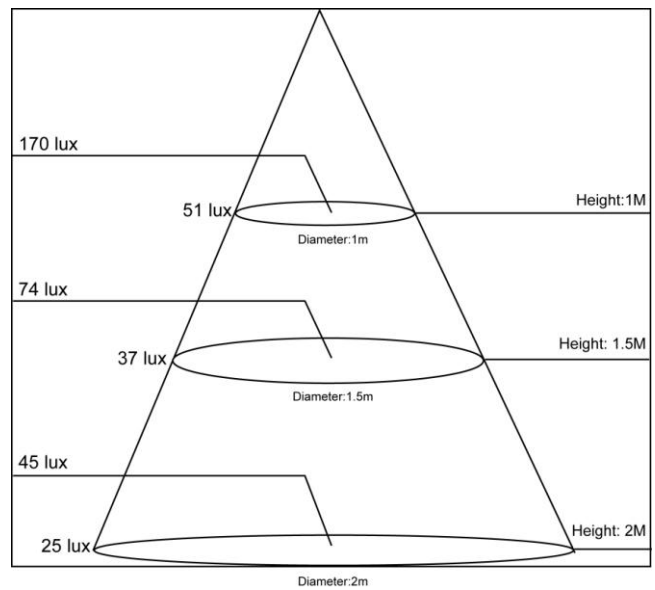


Beam & Cone Data

Cool White (5500K)



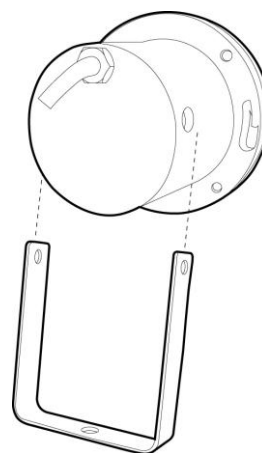
Warm White (3000K)



Stainless Steel Bracket Installation Instruction

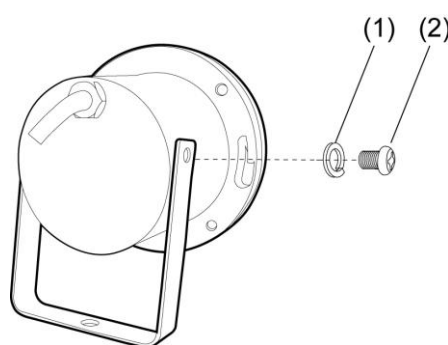
Step 1 :

After removing PVC out of the bracket, place the bracket close to the sockets.



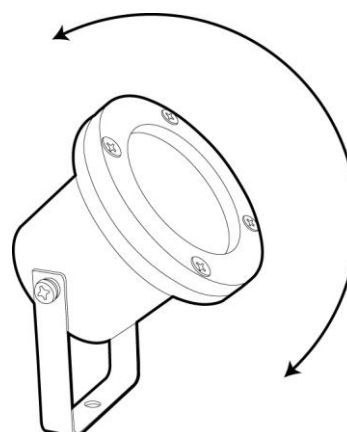
Step 2 :

Fix two sides of the bracket by using washers (1) and screws (2).



Step 3 :

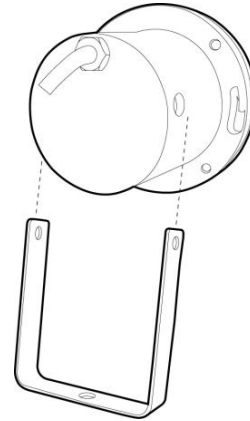
Adjust the fixture body to the desired angle and then tighten it up firmly.



Spike Installation Instruction

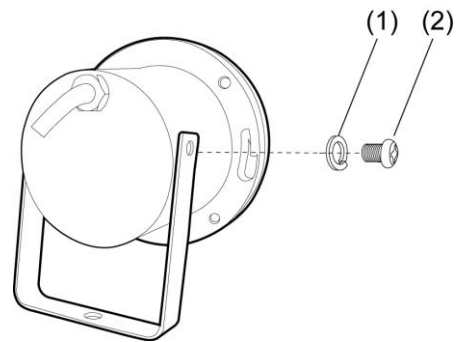
Step 1 :

After removing PVC out of the bracket, place the bracket close to the sockets.



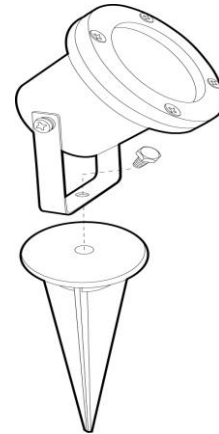
Step 2 :

Fix two sides of the bracket by using washers (1) and screws (2).



Step 3 :

Fasten the bracket onto the spike .



Step 4 :

Adjust the fixture body to the desired angle and then tighten it up firmly before or after the spike inserted into the ground.

