

## Power Water Light 60W



### Technical

Color	Single Color	RGB
Input Voltage	DC 24V	
Rated Current	2.5 A	
Rated Frequency	50~60 Hz	
Total Power (W)	60W (Max.)	
Beam Angle	30°	
Operating Temperature	0°C to 50°C ( 32°F to 122°F)	
Starting Temperature	0°C to 50°C ( 32°F to 122°F)	
IP Classification	68	

### Light Source

LED	High Power 60W
-----	----------------

### Construction

Housing	Three- layers : Copper / Brass / Die-casting Aluminum
Finishes	Black
Top Glass	Tempered Glass

### Dimensions

Body	Ø 90 x H :120 (mm)
Cable Length	1.6 M

### Accessory

Stainless Steel Bracket or Mounting Sleeve ( Optional )	Required For RGB Version
---	--------------------------

### Controller

### Packing

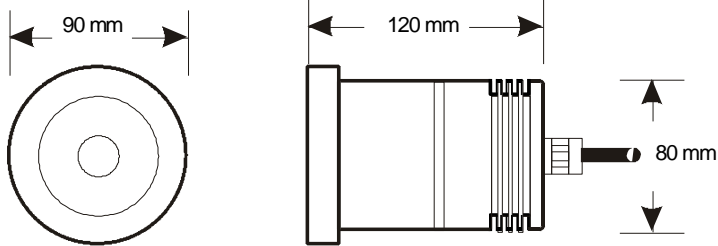
Product Weight (kg)	1.47
Packing Dimension(L×W×H) (cm)	10 x 10 x 17
Pcs/Box	Individual
Gross Weight (kg)	1.53

Remark:

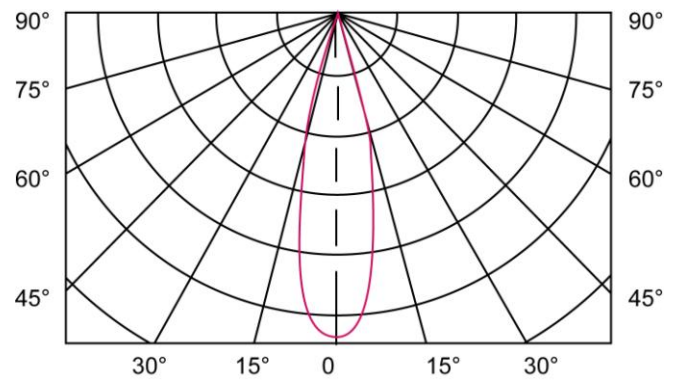
1. Contents and specifications are subject to change without prior notice
2. External power supply needed

Part Number	Color Range
FPA01W01HPPE60	<input type="checkbox"/> Cool white
FPA01WW01HPPE60	<input type="checkbox"/> Warm white
FPA01R01HPPE60	<input type="checkbox"/> Red
FPA01G01HPPE60	<input type="checkbox"/> Green
FPA01B01HPPE60	<input type="checkbox"/> Blue
FPA01A01HPPE60	<input type="checkbox"/> Amber
FPA01RGB01HPPE60	<input type="checkbox"/> RGB

Dimensions



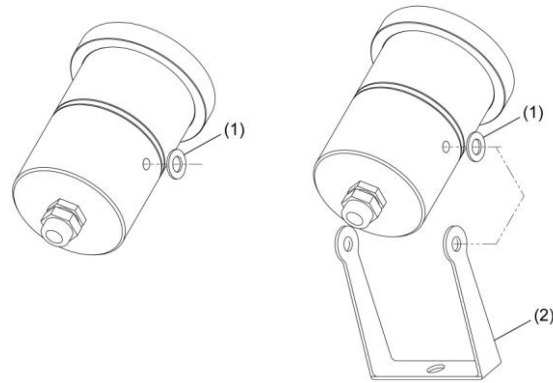
Light Pattern



## Stainless Steel Bracket Installation Instruction

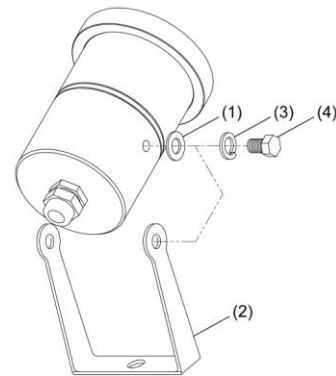
### Step 1 :

Closely attach one plastic pad (1) to the fixture body, and then place the bracket (2) against the plastic pad.



### Step 2 :

Fix one side of the bracket by using washer (3) and screw (4).



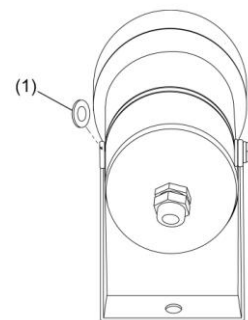
### Step 3 :

Apply necessary force to open the bracket and slide the other plastic pad (1) into the positioned h and fix the other side of the bracket.

#### IMPORTANT:

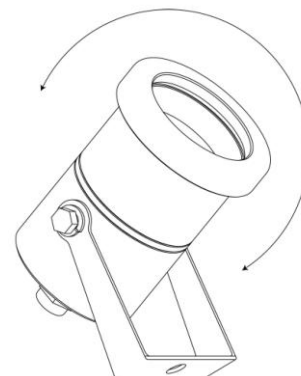
The plastic pad functions as crucial part to prevent the corrosion from occurring in some conditions.

Ensure that two plastic pads placed in correct position, in which is in between the body itself and the bracket.



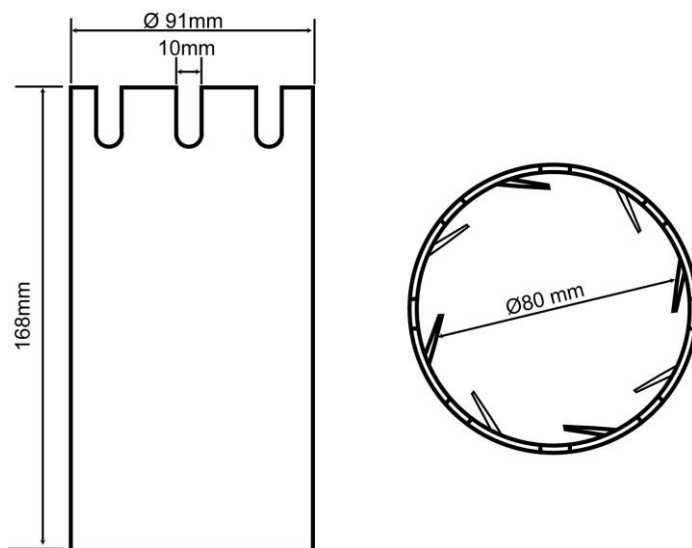
### Step 4 :

Adjust the fixture body to the desired angle and tighten it up firmly.



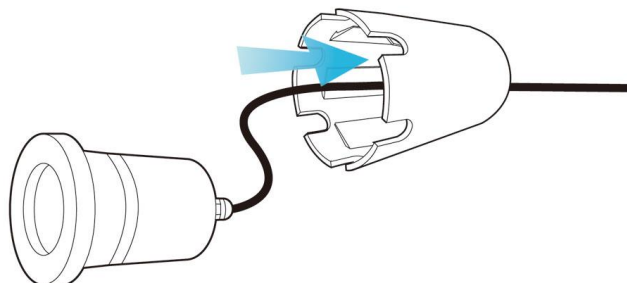
## Mounting Sleeve Installation Instruction

Dimensions:



Step 1 :

Let cable come through the sleeve to reach to the other side.



Step 2 :

Gradually install the fixture body into the mounting sleeve to the fixed position.

