



LED Tube Light Benefits:

- **Outdoor-Proof**
- UV-resistant polycarbonate tubular housing
- **Low profile** / Convenient / Utility
- **Low Cost** Lighting Effects
- Extremely Low Operation Cost / Energy Efficient
- Super Long Life / Zero Maintenance
- Available in lengths of 1000mm, 670mm and 340mm
- 120° viewing angle / **Saturated & Uniform Light** / No Cut-Off
- Application: All Architectural Lighting, Wall Washing, Roof-top Lighting, Stage Decoration Lighting, Boarder-line, Landscaping, etc.

LED Tube Light

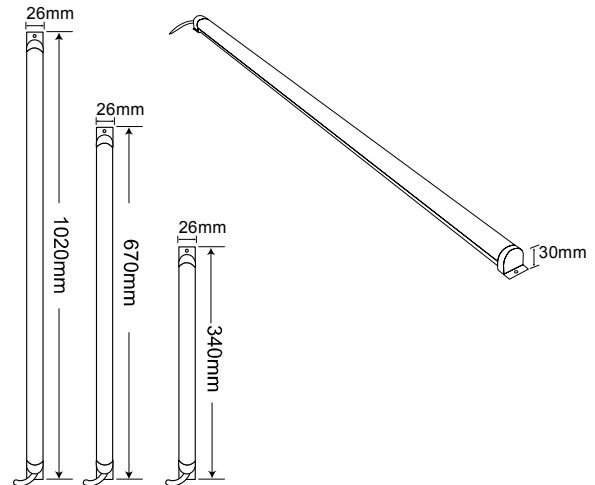
FPU03-W72SMD-VE (White, 120°, 72pcs)
 FPU03-W48SMD-VE (White, 120°, 48pcs)
 FPU03-W24SMD-VE (White, 120°, 24pcs)



Specification Features

Color Range	White, Warm White
Dimensions	Φ30mm x L340mm Φ30mm x L670mm Φ30mm x L1000mm
Light Source	Ultra Bright SMD LED
Housing	UV Resistant Polycarbonate tubular housing
Operating Temperature	-20°C to 50°C (-68°F to 122°F)
Starting Temperature	-10°C to 50°C (-50°F to 122°F)
IP Rating	IP 65
LED source life	50, 000 hours
Wiring	Hard wire through side entrance
Connectors	Waterproof IP65
Weight	300g Max.

Physical Dimensions



Electrical

Power Input	DC 24V
DC Current	20mA
Total Power Consumption	4.32W/2.88W/1.44W

Communication

Control Mechanism	None
Controller	None
Data Wiring	IP65 Connector

Optical

Lens	None
Beam Angle	120°
Light Distribution	Symmetric direct illumination

Light Output

Color	Wavelength	Color Temp. (Typical)	Luminous Intensity (mcd)	Power Consumption (W)
White	-	5700K		1.45~4.5W
Warm White	-	3500K		1.45~4.5W
Red	623-630	-	260~430	1.45~4.5W
Green	522-525	-	700~900	1.45~4.5W
Blue	462-468	-	250~380	1.45~4.5W
Amber	588-592	-		1.45~4.5W