


Power Down Light 10W-V1 Benefits:

- Luxtreme Series / **High Light Output** / Best at **2.5 Meter Height**
- Extremely Low Operation Cost / Energy Efficient
- **ONE LED Module** / Natural Illumination / **Non-Flickering**
- Closest to Gas Tube Lighting / **No Ghost Effect**
- **Fixture Acts as Heat Sink** / LED is only **10°C** more than Surface
- Super Long Life / Zero Maintenance
- Simple Design / Solid Construct / **New Elegant Casing & Reflector**
- **Constant Current Design**
- Environmentally Friendly / No Toxic / Reduce Waste
- CO2 Reduction (based on 50,K Hour): **1914KG** = 
- Mercury Reduction (compared to fluorescent): **41.67mg**
- Application: All Indoor Recessed Lighting.

Power Down Light 10W-V1

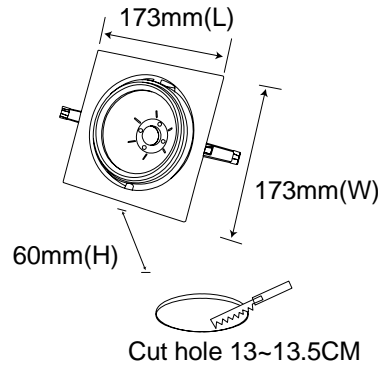
FPD10W01HPFA10 (White, 100°)
FPD10WW01HPFA10 (Warm White, 100°)



Specification Features

Color Range	White, Warm White
Dimensions	L173mm x W173mm x H60mm
Light Source	10W High Power LED
Housing	Die-casting aluminum
Operating Temperature	-40°C to 50°C (-40°F to 122°F)
Starting Temperature	-40°C to 50°C (-40°F to 122°F)
IP Rating	IP40
LED source life	50, 000 hours
Design	Recessed mount
Accessory	10W LED Driver AC110~240V
Weight	1.60kg

Physical Dimensions



Electrical

Power Input	AC 110V~240V	Control Mechanism	None
DC Current	900mA	Controller	None
Power Consumption	10W	Data Wiring	None

Optical

Lens	None
Beam Angle	100°
Light Distribution	Symmetric direct illumination

Light Output

Color	Wavelength (nm)	Color Temp. (Typical)	Light Output (Lm)	Efficacy (Lm/W)
White	-	5600~6000K	650	65
Warm White	-	2800K	650	60
		3000K		
		3300K		
Red	623-630	-	500	50
Green	522-525	-	500	50
Blue	462-468	-	100	10
Amber	588-592	-	500	50