


Power Down Light 10W-V4 Benefits:

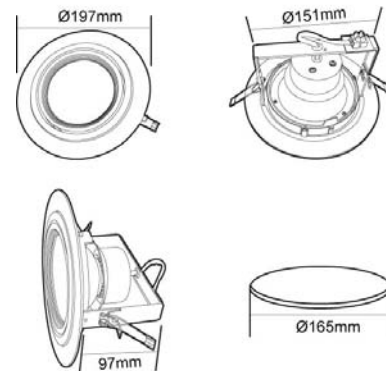
- Luxtreme Series / **High Light Output** / Best at 2.5 Meters Height
- Extremely Low Operation Cost / Energy Efficient (10W VS 40W)
- **ONE LED Module** / Natural Illumination / **Non-Flickering**
- Closest to Gas Tube Lighting / **No Multiple Shadows**
- **Fixture Acts as Heat Sink** / LED is only 5°C more than Surface
- Super Long Life / Zero Maintenance
- Simple Design / Solid Construct / **New Elegant Casing & Reflector**
- **Constant Current Design**
- Environmentally Friendly / No Toxic / Reduce Waste
- Application: All Indoor Recessed Lighting.

Power Down Light 10W-V4

FPD10WHPWA10 (White)
FPD10WWHPWA10 (Warm White)


Specification Features

Color Range	White, Warm White
Dimensions	Φ197mm x H97mm
Light Source	10W High Power LED
Housing	Die-casting aluminum
Operating Temperature	-40°C to 50°C (-40°F to 122°F)
Starting Temperature	-40°C to 50°C (-40°F to 122°F)
IP Rating	IP40
LED source life	50, 000 hours
Design	Recessed mount
Accessory	10W LED Driver AC110~240V
Weight	800g (including Driver)

Physical Dimensions

Electrical

Power Input	AC 110V~240V	Control Mechanism	None
DC Current	0.9A	Controller	None
Power Consumption	10W	Data Wiring	None

Optical
LED Output

		Color	Wavelength (nm)	Color Temp. (Typical)	Light Output (Lm)	Efficacy (Lm/W)
Lens	None	White	-	5600~6000K	750	75
Beam Angle	140°	Warm White	-	2800K 3000K 3300K	700	70
Light Distribution	Symmetric direct illumination					