



Power High Bay Light 60W-V2 Benefits:

- Luxtre Series / **Extreme High Light Output** / Best at 4~6 Meter Height
- Extremely Low Operation Cost / Energy Efficient (60W VS 250W)
- **ONE LED Module** / Natural Illumination
- Closest to Gas Tube Lighting / **No Ghost Effect**
- **Fixture Acts as Heat Sink** / LED is only 10°C more than Surface
- Super Long Life / Zero Maintenance
- Simple Design / Solid Construct / Parts Easily Replaceable
- **Constant Current Design**
- Environmentally Friendly / No Toxic / Reduce Waste
- CO2 Reduction (based on 50,K Hour): **6699KG = X 14**
- Mercury Reduction (compared to fluorescent): **41.67mg**
- Application: Exhibition Center, Airport, Railway Station, Hall way, Warehouse

Power High Bay Light 60W-V2

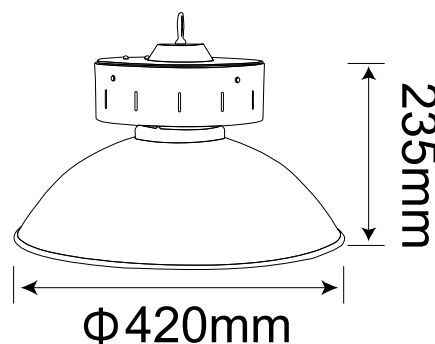
FHB02-W01HP-VA60 (White, 120°)
FHB02-WW01HP-VA60 (Warm White, 120°)



Specification Features

Color Range	White, Warm White
Dimensions	Φ420mm x H270mm
Light Source	60W High Power LED
Housing	Die-casting aluminum
Operating Temperature	-40°C to 50°C (-40°F to 122°F)
Starting Temperature	-40°C to 50°C (-40°F to 122°F)
IP Rating	IP40
LED source life	50, 000 hours
Design	Sling mounted
Accessory	Mounting chain
Weight	2.10kg

Physical Dimensions



Electrical

Power Input	AC 110V/240V	Control Mechanism	None
DC Current	2.7A	Controller	None
Power Consumption	60W	Data Wiring	None

Optical

Lens	None
Beam Angle	120°
Light Distribution	Symmetric direct illumination

Light Output

Color	Wavelength (nm)	Color Temp. (Typical)	Light Output (Lm)	Efficacy (Lm/W)
White	-	5600~6000K	3900	65
Warm White	-	2800K 3000K 3300K	3600	60