

Power LED Channel Letter 4-SMD Benefits:

- Extremely Low Operation Cost / Energy Efficient
- Super Long Life / Zero Maintenance
- **Constant Current Design**
- Environmentally Friendly / No Toxic / Reduce Waste
- **Low profile** / Flexible / Utility
- Surface coating protection (Water drop proof)
- 3M Adhesive Tape
- Application: All Back Lighting, Signage Box, Billboards, etc.

Power LED Channel Letter 4-SMD

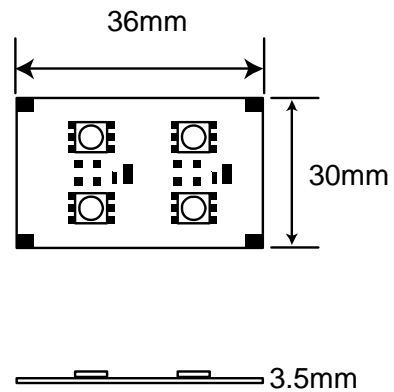
FCL02-W04SMD-VF (White, 120°)



Specification Features

Color Range	White, Red, Green, Blue, Amber
Dimensions	L36mm x W30mm x H3.5mm
Light Source	4pcs of 5050 Type SMD LED
Housing	None
Operating Temperature	-40°C to 50°C (-40°F to 122°F)
Starting Temperature	-40°C to 50°C (-40°F to 122°F)
IP Rating	N/A
LED source life	50,000 hours
Design	PCB
Accessory	None
Weight	11g

Physical Dimensions



Electrical

Power Input	DC 12V	Control Mechanism	None
DC Current	60mA	Controller	None
Power Consumption	0.9W/1pcs Max.	Data Wiring	None

Optical

Lens	None
Beam Angle	120°

Light Output

Color	Wavelength (nm)	Color Temp. (Typical)	Luminous Intensity (mcd)	Power Consumption (W)
White	-	6300K	3600	0.9W
Red	623-630	-	1680	0.9W
Green	522-525	-	3600	0.9W
Blue	462-468	-	1140	0.9W
Amber	588-592	-	1680	0.9W