



**Power MR16 Downlight Benefits:**

- Luxtreme Series / **High Light Output**
- Extremely Low Operation Cost / Energy Efficient (10W VS 50W)
- Choice of built-in or external constant current driver
- **ONE LED Module** / Natural Illumination / **Non-Flickering**
- Closest to Gas Tube Lighting / **No Multiple Shadows**
- **Fixture Acts as Heat Sink** / LED is only 10°C more than Surface
- Super Long Life / Zero Maintenance
- Simple Design / Solid Construct
- **Constant Current Design**
- Environmentally Friendly / No Toxic / Reduce Waste
- Downlight fixture Included

**Power MR16 Downlight**

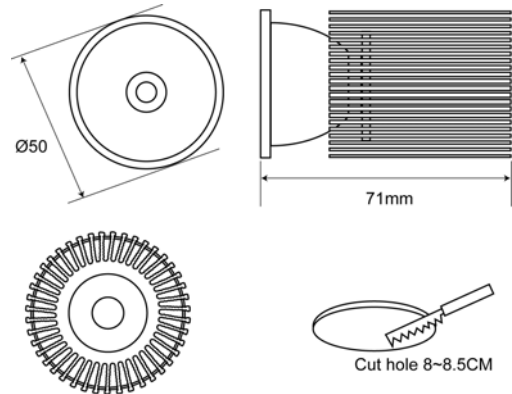
FPD09-W01HPF-A10 (White, 30°)  
 FPD09-WW01HP-FA10 (Warm White, 30°)



**Specification Features**

<b>Color Range</b>	White, Warm White
<b>Dimensions</b>	Ø50 x H71mm (include fixture)
<b>Light Source</b>	10W High Power LED
<b>Housing</b>	Die-casting aluminum
<b>Operating Temperature</b>	-40°C to 50°C (-40°F to 122°F)
<b>Starting Temperature</b>	-40°C to 50°C (-40°F to 122°F)
<b>IP Rating</b>	IP40
<b>LED source life</b>	50, 000 hours
<b>Design</b>	Fit std. MR16 fixture (open type)
<b>Accessory</b>	10W LED Driver
<b>Weight</b>	300g (including Driver)

**Physical Dimensions**



**Electrical**

<b>Power Input</b>	AC 100V/240V	<b>Control Mechanism</b>	None
<b>DC Current</b>	800mA	<b>Controller</b>	None
<b>Power Consumption</b>	10W	<b>Data Wiring</b>	None

**Optical**

**LED Output**

		Color	Wavelength (nm)	Color Temp. (Typical)	Light Output (Lm)	Efficacy (Lm/W)
<b>Lens</b>	None	<b>White</b>	-	5600~6000K	750	75
<b>Beam Angle</b>	30°	<b>Warm White</b>	-	2800K 3000K 3300K	650	65
<b>Light Distribution</b>	Symmetric direct illumination					