



Power Par30 Lamp 12W Benefits:

- **High Light Output** / Best at 2.5 Meter Height
- Extremely Low Operation Cost / Energy Efficient (12W VS 40W)
- **ONE LED Module** / Natural Illumination/ **Non-Flickering**
- Closest to Gas Tube Lighting / **No Ghost Effect**
- **Fixture Acts as Heat Sink** / LED is only 10°C more than Surface
- Super Long Life / Zero Maintenance
- Simple Design / Solid Construct / Parts Easily Replaceable
- **Constant Current Design**
- Environmentally Friendly / No Toxic / Reduce Waste
- CO2 Reduction (based on 50,K Hour): **893.2KG =** 
- Mercury Reduction (compared to fluorescent): **41.67mg**
- Application: All Indoor Lighting / Fit PAR30 E27/E26

Power Par30 Lamp 12W

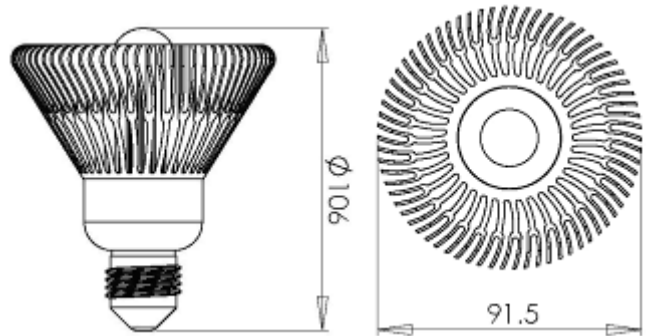
FPP02-W01HP-RA10 (White, 60°)
 FPP02-WW01HP-RA10 (Warm White, 60°)
 FPP02-W01HP-WA10 (White, 140°)
 FPP02-WW01HP-WA10 (Warm White, 140°)



Specification Features

Color Range	White, Warm White
Dimensions	Φ91.5mm x H106mm
Light Source	12W High Power LED
Housing	Die-casting aluminum
Operating Temperature	-40°C to 50°C (-40°F to 122°F)
Starting Temperature	-40°C to 50°C (-40°F to 122°F)
IP Rating	IP40
LED source life	50, 000 hours
Base	E27 standard screw base
Accessory	None
Weight	236g

Physical Dimensions



Electrical

Power Input	AC 110V/240V	Control Mechanism	None
DC Current	1A	Controller	None
Power Consumption	12W	Data Wiring	None

Optical

Lens	None
Beam Angle	60°/140°
Light Distribution	Symmetric direct illumination

Light Output

Color	Wavelength (nm)	Color Temp. (Typical)	Light Output (Lm)	Efficacy (Lm/W)
White	-	5600~6000K	650	65
Warm White	-	2800K 3000K 3300K	600	60
Red	623-630	-	500	50
Green	522-525	-	500	50
Blue	462-468	-	100	10
Amber	588-592	-	500	50