




**Power Down Light 10R-V3 Benefits:**

- Luxtreme Series / **High Light Output** / Best at **2.5 Meter Height**
- Extremely Low Operation Cost / Energy Efficient (10W VS 40W)
- **ONE LED Module** / Natural Illumination / **Non-Flickering**
- Closest to Gas Tube Lighting / **No Ghost Effect**
- **Fixture Acts as Heat Sink** / LED is only **10°C** more than Surface
- Super Long Life / Zero Maintenance
- Simple Design / Solid Construct
- **Constant Current Design**
- Environmentally Friendly / No Toxic / Reduce Waste
- CO2 Reduction (based on 50,K Hour ): **957KG** = 
- Mercury Reduction (compared to fluorescent): **41.67mg**
- Application: All Indoor Recessed Down Lighting.

**Power Down Light 10R-V3**

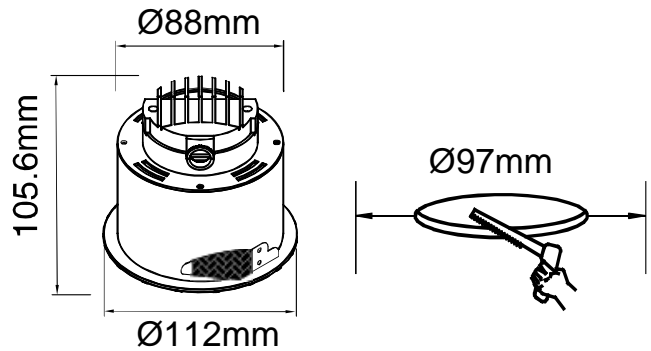
FPD03-W01HP-RA10 (White, 60°)  
FPD03-WW01HP-RA10 (Warm White, 60°)



**Specification Features**

<b>Color Range</b>	White, Warm White
<b>Dimensions</b>	Ø112mm (88mm Body) x H106mm
<b>Light Source</b>	10W High Power LED
<b>Housing</b>	Die-casting aluminum
<b>Operating Temperature</b>	-40°C to 50°C (-40°F to 122°F)
<b>Starting Temperature</b>	-40°C to 50°C (-40°F to 122°F)
<b>IP Rating</b>	IP40
<b>LED source life</b>	50, 000 hours
<b>Design</b>	Recessed mount
<b>Accessory</b>	10W LED Driver AC110~240V
<b>Weight</b>	320g

**Physical Dimensions**



**Electrical**

<b>Power Input</b>	AC 110~240V	<b>Control Mechanism</b>	None
<b>DC Current</b>	900mA	<b>Controller</b>	None
<b>Power Consumption</b>	10W	<b>Data Wiring</b>	None

**Optical**

<b>Lens</b>	None
<b>Beam Angle</b>	60°
<b>Light Distribution</b>	Symmetric direct illumination

**Light Output**

Color	Wavelength (nm)	Color Temp. (Typical)	Light Output (Lm)	Efficacy (Lm/W)
White	-	5600~6000K	650	65
Warm White	-	2800K 3000K 3300K	600	60