



Power Down Light 10W-V2

FPD07-W01HP-PA10 (White, 30°)
FPD07-WW01HP-PA10 (Warm White, 30°)

Power Down Light 10W-V2 Benefits:

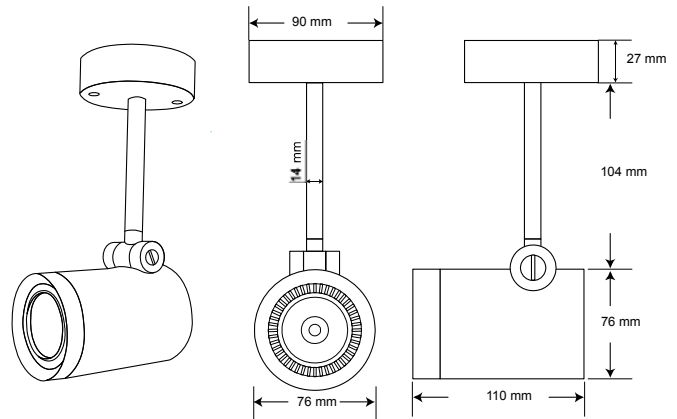
- Luxtreme Series / **High Light Output** / Best at 2.5 Meter Height
- Extremely Low Operation Cost / Energy Efficient (10W VS 35W)
- Elegant Ceiling/Wall Mount Design / Vertical & Horizontal Adjustable
- **ONE LED Module** / Natural Illumination / **Non-Flickering**
- Closest to Gas Tube Lighting / **No Ghost Effect**
- **Fixture Acts as Heat Sink** / LED is only 10°C more than Surface
- Super Long Life / Zero Maintenance
- Simple Design / Solid Construct / **Constant Current Design**
- Environmentally Friendly / No Toxic / Reduce Waste
- CO2 Reduction (based on 50,000 Hour) : **1276KG =** 
- Application: All Indoor Ceiling/Wall Mounted Lighting.



Specification Features

Color Range	White, Warm White
Dimensions	Light: Φ76mm x H110mm Base: Φ90mm x H27mm
Light Source	10W High Power LED
Housing	Die-casting aluminum
Operating Temperature	-40°C to 50°C (-40°F to 122°F)
Starting Temperature	-40°C to 50°C (-40°F to 122°F)
IP Rating	IP40
LED source life	50,000 hours
Design	Adjustable joint
Accessory	None
Weight	800g

Physical Dimensions



Electrical

Power Input	AC 110V/240V	Control Mechanism	None
DC Current	900mA	Controller	None
Power Consumption	10W	Data wiring	None

Optical

Lens	None
Beam Angle	30°
Light Distribution	Symmetric direct illumination

Light Output

Color	Wavelength (nm)	Color Temp. (Typical)	Light Output (Lm)	Efficacy (Lm/W)
White	-	5600~6000K	650	65
Warm White	-	2800k 3000k 3300K	600	60
Red	623-630	-	500	50
Green	522-525	-	500	50
Blue	462-468	-	100	10
Amber	588-592	-	500	50