




Power Down Light 15R-V2 Benefits:

- Luxtreme Series / **High Light Output** / Best at 2.5 Meter Height
- Extremely Low Operation Cost / Energy Efficient (15W VS 60W)
- **ONE LED Module** / Natural Illumination / **Non-Flickering**
- Closest to Gas Tube Lighting / **No Ghost Effect**
- **Fixture Acts as Heat Sink** / LED is only 10°C more than Surface
- Super Long Life / Zero Maintenance
- Simple Design / Solid Construct / New Elegant Casing & Reflector
- **Constant Current Design**
- Environmentally Friendly / No Toxic / Reduce Waste
- CO2 Reduction (based on 50,K Hour): **1435.5KG =** 
- Mercury Reduction (compared to fluorescent): **41.67mg**
- Application: All Indoor Recessed Lighting.

Power Down Light 15R-V2

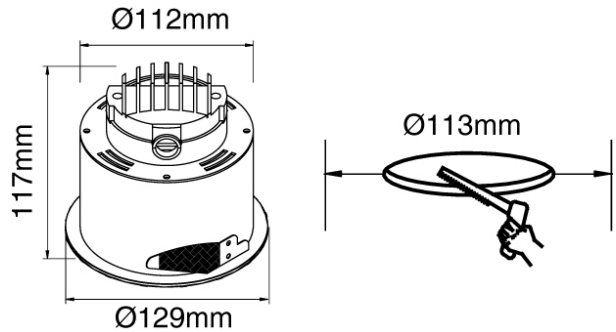
FPD05-W01HP-RA15 (White, 60°)
 FPD05-WW01HP-RA15 (Warm White, 60°)



Specification Features

Color Range	White, Warm White, Red, Green, Blue, Amber
Dimensions	Φ129mm x H117mm
Light Source	15W High Power LED
Housing	Die-casting aluminum
Operating Temperature	-40°C to 50°C (-40°F to 122°F)
Starting Temperature	-40°C to 50°C (-40°F to 122°F)
IP Rating	IP40
LED source life	50, 000 hours
Design	Recessed mount
Accessory	15W LED Driver AC110~240V
Weight	650g

Physical Dimensions



Electrical

Power Input	AC 110V/240V	Control Mechanism	None
DC Current	1.35A Max.	Controller	None
Power Consumption	15W	Data Wiring	None

Optical

Lens	None
Beam Angle	60°
Light Distribution	Symmetric direct illumination

Light Output

Color	Wavelength (nm)	Color Temp. (Typical)	Light Output (Lm)	Efficacy (Lm/W)
White	-	5600~6000K	975	65
Warm White	-	3000~3400K	900	60
Red	623-630	-	750	50
Green	522-525	-	750	50
Blue	462-468	-	150	10
Amber	588-592	-	750	50