




Power Down Light 15R-V3 Benefits:

- Luxtreme Series / **High Light Output** / Best at 2.5 Meter Height
- Extremely Low Operation Cost / Energy Efficient (15W VS 60W)
- **ONE LED Module** / Natural Illumination / **Non-Flickering**
- Closest to Gas Tube Lighting / **No Ghost Effect**
- **Fixture Acts as Heat Sink** / LED is only 10°C more than Surface
- Super Long Life / Zero Maintenance
- Simple Design / Solid Construct / New Elegant Casing & Reflector
- **Constant Current Design**
- Environmentally Friendly / No Toxic / Reduce Waste
- CO2 Reduction (based on 50,K Hour): **1435.5KG =** 
- Mercury Reduction (compared to fluorescent): **41.67mg**
- Application: All Indoor Recessed Lighting.

Power Down Light 15R-V3

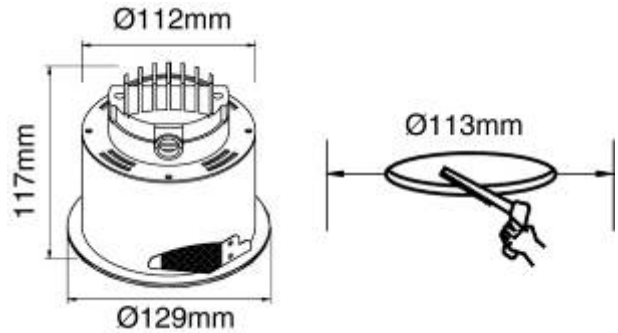
FPD05-W01HP-RA15 (White, 60°)
 FPD05-WW01HP-RA15 (Warm White, 60°)



Specification Features

| | |
|------------------------------|--------------------------------|
| Color Range | White, Warm White |
| Dimensions | Φ129mm x H117mm |
| Light Source | 15W High Power LED |
| Housing | Die-casting aluminum |
| Operating Temperature | -40°C to 50°C (-40°F to 122°F) |
| Starting Temperature | -40°C to 50°C (-40°F to 122°F) |
| IP Rating | IP40 |
| LED source life | 50, 000 hours |
| Design | Recessed mount |
| Accessory | 15W LED Driver AC110~240V |
| Weight | 650g |

Physical Dimensions



Electrical

| | | | |
|--------------------------|-------------|--------------------------|------|
| Power Input | AC 110~240V | Control Mechanism | None |
| DC Current | 1.35A | Controller | None |
| Power Consumption | 15W | Data Wiring | None |

Optical

| | |
|---------------------------|-------------------------------|
| Lens | None |
| Beam Angle | 60° |
| Light Distribution | Symmetric direct illumination |

Light Output

| Color | Wavelength (nm) | Color Temp. (Typical) | Light Output (Lm) | Efficacy (Lm/W) |
|------------|-----------------|-----------------------|-------------------|-----------------|
| White | - | 5600~6000K | 975 | 65 |
| Warm White | - | 2800K | 900 | 60 |
| | | 3000K | | |
| | | 3300K | | |