




Power Ground Light 10W

FPG05-W01HP-RF10 (White, 90°, DC15V)
 FPG05-WW01HP-RF10 (Warm White, 90°, DC15V)
 FPG05-B01HP-RF10 (Blue, 90°, DC15V)
 FPG05-A01HP-RF10 (Amber, 90°, DC15V)

Power Ground Lighting 10W Benefits:

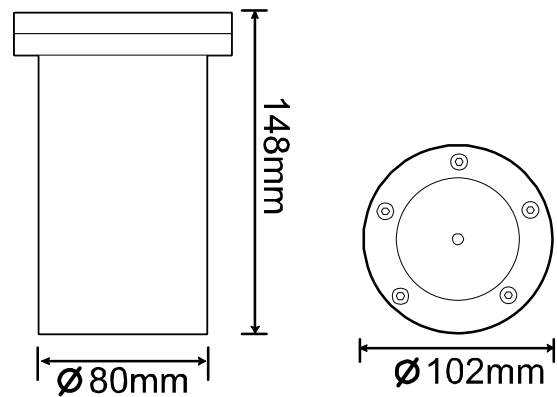
- **High Light Output** / Best at **2.5 Meter Height**
- Extremely Low Operation Cost / Energy Efficient (10W VS 40W)
- **ONE LED Module** / Natural Illumination / **Non-Flickering**
- Closest to Gas Tube Lighting / **No Ghost Effect**
- **Fixture Acts as Heat Sink** / LED is only **10°C more than Surface**
- Super Long Life / Zero Maintenance
- Simple Design / Solid Construct
- Environmentally Friendly / No Toxic / Reduce Waste
- CO2 Reduction (based on 50,K Hour) :**957KG =** 
- Mercury Reduction (compared to fluorescent): **41.67mg**
- Application: Outdoor Flooding, Statue Spotting, Landscaping, etc.



Specification Features

Color Range	White, Warm White, Red, Green, Blue, Amber
Dimensions	Φ102mm(Body Φ80mm) X H148mm
Light Source	10W High Power LED
Housing	Die-casting aluminum
Operating Temperature	-40°C to 50°C (-40°F to 122°F)
Starting Temperature	-40°C to 50°C (-40°F to 122°F)
IP Rating	IP67
LED source life	50,000 hours
Design	Recessed mount
Accessory	Optional 10W LED Driver
Weight	765g

Physical Dimensions



Electrical

Power Input	DC15V or Optional AC110V/240V	Control Mechanism	None
DC Current	700mA	Controller	None
Power Consumption	10W	Data Wiring	None

Optical

Fixture Cover	Toughened safety clear glass
Beam Angle	90°
Light Distribution	Symmetric direct illumination

Light Output

Color	Wavelength (nm)	Color Temp. (Typical)	Light Output (Lm)	Efficacy (Lm/W)
White	-	5600~6000K	650	65
Warm White	-	3000~3400K	600	60
Red	623-625	-	500	50
Green	522-525	-	500	50
Blue	462-468	-	100	10
Amber	588-592	-	500	50