

First



**Power Ground Lighting 5W-V2 Benefits:**

- Luxtreme Series / **High Light Output**
- Extremely Low Operation Cost / Energy Efficient (5W VS 20W)
- **ONE LED Module** / Natural Illumination / **Non-Flickering**
- Closest to Gas Tube Lighting / **No Ghost Effect**
- **Fixture Acts as Heat Sink** / LED is only **10°C more than Surface**
- Super Long Life / Zero Maintenance
- Simple Design / Solid Construct
- Environmentally Friendly / No Toxic / Reduce Waste
- CO2 Reduction (based on 50,K Hour): **478.5KG =**
- Mercury Reduction (compared to fluorescent): **41.67mg**
- Application: Outdoor Flooding, Statue Spotting, Landscaping, etc.

**Power Ground Light 5W-V2**

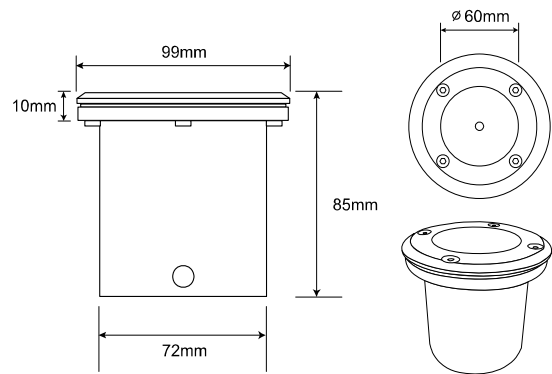
FPG04-W01HP-RF5 (White, 60°, DC12V)  
 FPG04-WW01HP-RF5 (Warm White, 60°, DC12V)  
 FPG04-B01HP-RF5 (Blue, 60°, DC12V)  
 FPG04-A01HP-RF5 (Amber, 60°, DC12V)



**Specification Features**

<b>Color Range</b>	White, Warm White, Blue, Amber
<b>Dimensions</b>	Φ99mm x H85mm
<b>Light Source</b>	5W High Power LED
<b>Housing</b>	Die-casting aluminum
<b>Operating Temperature</b>	-40°C to 50°C (-40°F to 122°F)
<b>Starting Temperature</b>	-40°C to 50°C (-40°F to 122°F)
<b>IP Rating</b>	IP67
<b>LED source life</b>	50,000 hours
<b>Design</b>	Recessed mount
<b>Accessory</b>	Optional LED Driver AC110~240V
<b>Weight</b>	560g

**Physical Dimensions**



**Electrical**

<b>Power Input</b>	DC12V or Optional AC110V/240V	<b>Control Mechanism</b>	None
<b>DC Current</b>	700mA	<b>Controller</b>	None
<b>Power Consumption</b>	5W	<b>Data Wiring</b>	None

**Optical**

<b>Fixture Cover</b>	Toughened safety frosted glass
<b>Beam Angle</b>	60°
<b>Light Distribution</b>	Symmetric direct illumination

**Light Output**

Color	Wavelength (nm)	Color Temp. (Typical)	Light Output (Lm)	Efficacy (Lm/W)
White	-	5600~6000K	325	65
Warm White	-	3000~3400K	300	60
Red	623-625	-	250	50
Green	522-525	-	250	50
Blue	462-468	-	50	10
Amber	588-592	-	250	50