

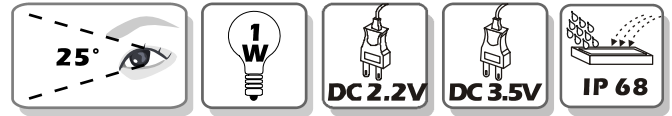


Power Spot 1WP 25DEG Benefits:

- **Fully Outdoor-proof**
- Compact / **Low profile** / Convenient / Utility
- **Constant Current Design**

Power Spot 1WP

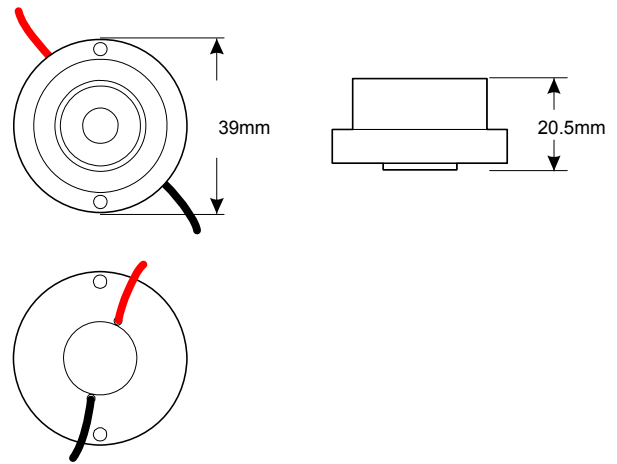
FPS01-W01HP-OJ1 (White, 25°)
 FPS01-WW01HP-OJ1 (Warm White, 25°)
 FPS01-R01HP-OJ1 (Red, 25°)
 FPS01-G01HP-OJ1 (Green, 25°)
 FPS01-B01HP-OJ1 (Blue, 25°)
 FPS01-A01HP-OJ1 (Amber, 25°)



Specification Features

Color Range	White, Warm White, Red, Green, Blue, Amber
Dimensions	Φ39mm x H20.5mm
Light Source	1W High Power LED
Housing	Die-cast aluminum
Operating Temperature	-20°C to 50°C (-68°F to 122°F)
Starting Temperature	-10°C to 50°C (-50°F to 122°F)
IP Rating	IP68
LED source life	50,000 hours
Design	Surface screw mount
Accessory	None
Weight	30g

Physical Dimensions



Electrical

Power Input	DC 2.2V for RED and AMBER DC 3.5V for G, B, W, WW	Control Mechanism	None
DC Current	350mA Max.	Controller	None
Power Consumption	1W	Data Wiring	None

Optical

Lens	Polycarbonate
Beam Angle	25°
Light Distribution	Symmetric direct illumination

Light Output

Color	Wavelength (nm)	Color Temp. (Typical)	Light Output (Lm)	Efficacy (Lm/W)
White	-	5800~6000K	55	55
Warm White	-	3000~3200K	45	45
Red	623-630	-	40	40
Green	522-525	-	55	55
Blue	462-468	-	20	20
Amber	588-592	-	40	40