




**Power Spot Light 30W Benefits:**

- Luxtreme Series / **Extreme High Light Output**
- Extremely Low Operation Cost / Energy Efficient (30W VS 100W)
- **ONE LED Module** / Natural Illumination / **Non-Flickering**
- Closest to Gas Tube Lighting / **No Ghost Effect**
- **Fixture Acts as Heat Sink** / LED is only 10°C more than Surface
- Super Long Life / Zero Maintenance
- Simple Design / Solid Construct
- **Constant Current Design**
- Environmentally Friendly / No Toxic / Reduce Waste
- CO2 Reduction (based on 50,K Hour): **2871KG =** 
- Mercury Reduction (compared to fluorescent): **41.67mg**
- Application: Outdoor Flooding, Statue Spotting, Landscaping, etc.

**Power Spot Light 30W**

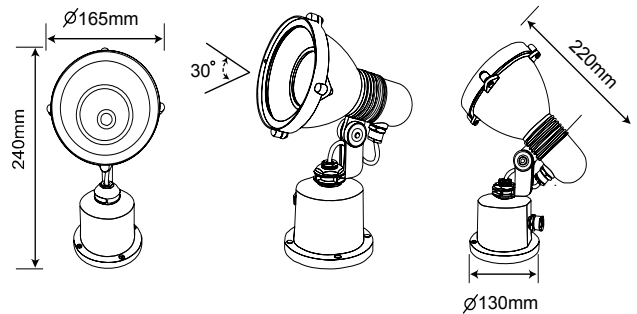
FPS04-W01HP-PA30 (White, 30°)  
 FPS04-WW01HP-PA30 (Warm White, 30°)  
 FPS04-W01HP-RA30 (White, 60°)  
 FPS04-WW01HP-RA30 (Warm White, 60°)



**Specification Features**

<b>Color Range</b>	White, Warm White
<b>Dimensions</b>	Φ130mm x H240mm
<b>Light Source</b>	30W High Power LED
<b>Housing</b>	Die-casting aluminum
<b>Operating Temperature</b>	-40°C to 50°C (-40°F to 122°F)
<b>Starting Temperature</b>	-40°C to 50°C (-40°F to 122°F)
<b>IP Rating</b>	IP65
<b>LED source life</b>	50, 000 hours
<b>Design</b>	Surface or Picket mount
<b>Accessory</b>	None
<b>Weight</b>	1.40kg

**Physical Dimensions**



**Electrical**

<b>Power Input</b>	AC 110V/240V	<b>Control Mechanism</b>	None
<b>DC Current</b>	2.7A Max.	<b>Controller</b>	None
<b>Power Consumption</b>	30W	<b>Data Wiring</b>	None

**Optical**

<b>Lens</b>	None
<b>Beam Angle</b>	30°/60°
<b>Light Distribution</b>	Symmetric direct illumination

**Light Output**

Color	Wavelength (nm)	Color Temp. (Typical)	Light Output (Lm)	Efficacy (Lm/W)
White	-	5600~6000K	1950	65
Warm White	-	2800K 3000K 3300K	1800	60
Red	623-630	-	1500	50
Green	522-525	-	1500	50
Blue	462-468	-	300	10
Amber	588-592	-	1500	50