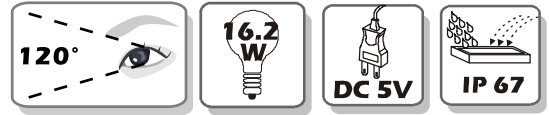



**Waterproof RibbonStrip Tracking Benefits:**

- Silica Rubber Tube Cover **Outdoor and Sunlight-Proof**
- Ultimate **Flexibility / Low profile** / Convenient / Utility
- Dis-synchronized LED strip color change / **Motion Effects**
- **Custom Color Program** / Individual IC control / 72pcs of LED
- **Low Cost** Moving-Color Effects
- Extremely Low Operation Cost / Energy Efficient
- Super Long Life / Zero Maintenance
- **Constant Current Design**
- **Cutting Length** 1\*IC + 1\*LED equal 40mm
- 120° viewing angle / **Saturated & Uniform Light** / No Cut-Off
- Application: All Indirect Lighting, Boarder-line, Signs, Glass Decoration, Star Effects, Cove Lighting, etc.

## Waterproof RibbonStrip Tracking

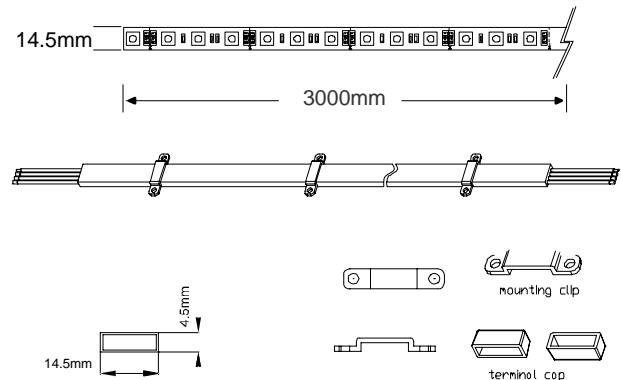
FFRB06RGB075SMDVLN (RGB, 120°, Narrow)  
Tracking Controller



### Specification Features

<b>Color Range</b>	Combining different brightness of red, green, blue LED produce over 16 million colors
<b>Dimensions</b>	L3000mm x W14.5mm x H4.5mm
<b>Light Source</b>	72pcs Ultra Bright 3-in-1 SMD LED
<b>Housing</b>	None
<b>Operating Temperature</b>	-20°C to 50°C (-4°F to 122°F)
<b>Starting Temperature</b>	-10°C to 50°C (14°F to 122°F)
<b>IP Rating</b>	IP67
<b>LED source life</b>	50, 000 hours
<b>Design</b>	Flexible PCB / Silica Rubber Tube
<b>Accessory</b>	None
<b>Weight</b>	350g

### Physical Dimensions



### Electrical

<b>Power Input</b>	DC 5V	<b>Control Mechanism</b>	iRGB Control Device
<b>DC Current</b>	60mA	<b>Controller</b>	Tracking Controller
<b>Power Consumption</b>	16.2W Max.	<b>Data Wiring</b>	None

### Optical

<b>Lens</b>	None
<b>Beam Angle</b>	120°
<b>Light Distribution</b>	Symmetric direct illumination

### Light Output

Color	Wavelength (nm)	Color Temp. (Typical)	Luminous Intensity (mcd)	Power Consumption (W)
Red	623-630	-	260~560	16.2W Max.
Green	522-525	-	700~1200	
Blue	462-468	-	200~380	