

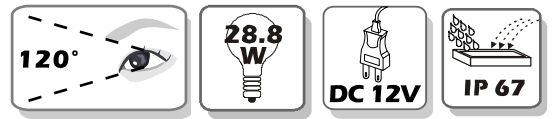


**Waterproof RibbonStrip**

- FRB02-W360SMD-VF (White, 120°)
- FRB02-WW360SMD-VF (Warm White, 120°)
- FRB02-R360SMD-VF (Red, 120°)
- FRB02-G360SMD-VF (Green, 120°)
- FRB02-B360SMD-VF (Blue, 120°)
- FRB02-A360SMD-VF (Amber, 120°)

**Waterproof RibbonStrip Benefits:**

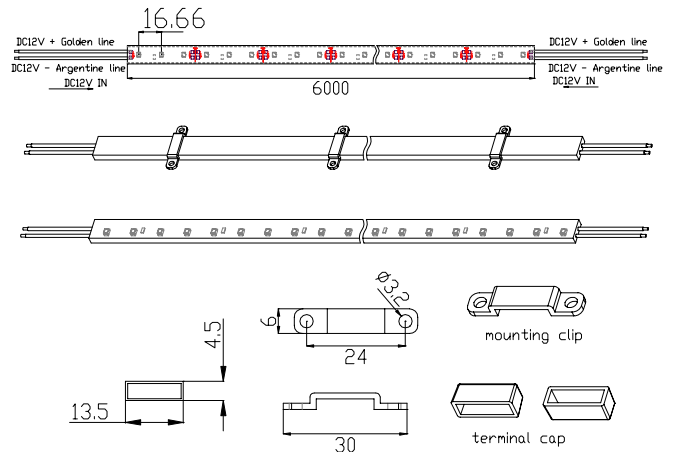
- Silica Rubber Tube Cover **Outdoor-Proof**
- Ultimate **Flexibility** / **Low profile** / Convenient / Utility
- **Low Cost** Lighting Effects
- Extremely Low Operation Cost / Energy Efficient
- Super Long Life / Zero Maintenance
- **Constant Current Design**
- **Cutting Length** 3\*LED equal 50mm
- 120° viewing angle / **Saturated & Uniform Light** / No Cut-Off
- Application: All Indirect Lighting, Boarder-line, Signs, Glass Decoration, Cove Lighting, etc.



**Specification Features**

<b>Color Range</b>	White, Warm White, Red, Green, Blue, Amber
<b>Dimensions</b>	L6000mm x W13.5mm xH4.5mm
<b>Light Source</b>	360pcs Ultra Bright SMD LED
<b>Housing</b>	None
<b>Operating Temperature</b>	-20°C to 50°C (-4°F to 122°F)
<b>Starting Temperature</b>	-10°C to 50°C (14°F to 122°F)
<b>IP Rating</b>	IP67
<b>LED source life</b>	50, 000 hours
<b>Design</b>	Flexible PCB / Silica Rubber Tube
<b>Connectors</b>	None
<b>Accessory</b>	Mounting Clip / End Cap
<b>Weight</b>	450g

**Physical Dimensions**



**Electrical**

<b>Power Input</b>	DC 12V
<b>DC Current</b>	20mA
<b>Power Consumption</b>	28.8W Max.

**Communication**

<b>Control Mechanism</b>	None
<b>Controller</b>	None
<b>Data wiring</b>	None

**Optical**

<b>Lens</b>	None
<b>Beam Angle</b>	120°
<b>Light Distribution</b>	Symmetric direct illumination

**Light Output**

Color	Wavelength (mm)	Color Temp. (Typical)	Luminous Intensity (mcd)	Power Consumption (W)
White	-	5700K	1200~1600	24W
Warm White	-	2800K 3500K	900~1200 1200~1600	24W
Red	623-630		260~560	28.8W
Green	522-525		700~1200	24W
Blue	462-468		200~380	24W
Amber	588-592		260~560	28.8W