

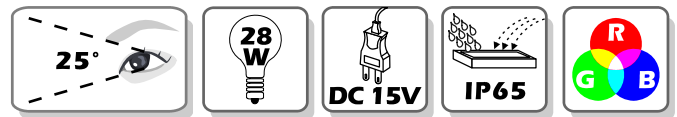


iRGB Power Washer 28 Benefits:

- Outdoor and Sunlight-Proof / DMX512 Compatible
- **Solid** / Convenient / Compact / Simple
- **High Brightness** Lighting Effects/ 7 Meters projection
- Extremely Low Operation Cost / Energy Efficient
- Super Long Life / Zero Maintenance
- **Constant Current Design**
- 25° viewing angle / **Saturated & Uniform Light** / High Projection
- Application: All Architectural Lighting, Wall Washing, Roof-top Lighting, Stage Decoration Lighting, Boarder-line, Landscaping, etc.

iRGB Power Washer 28

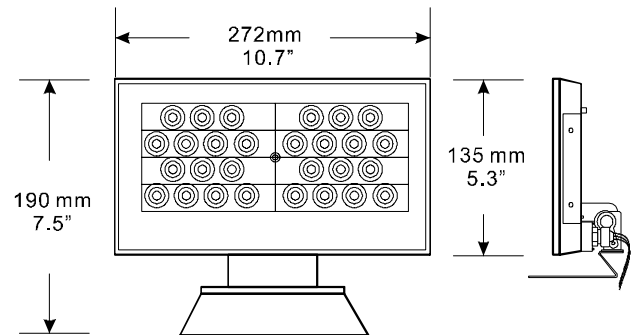
FPW01-RGB28HP-OGX (RGB, 25°, DC 15V)
DMX Controller



Specification Features

Color Range	Combining different brightness of red, green blue LED produce over 16 million colors
Dimensions	L272mm x W135mm x H190mm (L10.7" x W5.3" x H7.5")
Light Source	28pcs RGB High Power LED (12 Red, 8 Green, 8 Blue)
Housing	Die-casting aluminum alloy
Operating Temperature	-20°C to 50°C (-68°F to 122°F)
Starting Temperature	-10°C to 50°C (-50°F to 122°F)
IP Rating	IP 65
LED source life	50, 000 hours
Accessory	Aluminum mounting clips
Controller	DMX Controller
Weight	2.35kg / 5.18lb
Wiring	Hard wire through side entrances
Connectors	Waterproof IP65

Physical Dimensions



Electrical

Power Input	DC 15V
DC Current	1.93A Max.
Total Power Consumption	29W Max.

Communication

Control Mechanism	DMX Control Device
Controller	DMX Controller
Data Wiring	IP65 Connector

Optical

Lens	Polycarbonate
Beam Angle	25°
Light Distribution	Symmetric direct illumination

Light Output

Color	Light Output (Lm)	Power (W)	Efficacy (Lm/W)
Red	360	9	40
Green	495	9	55
Blue	180	9	20